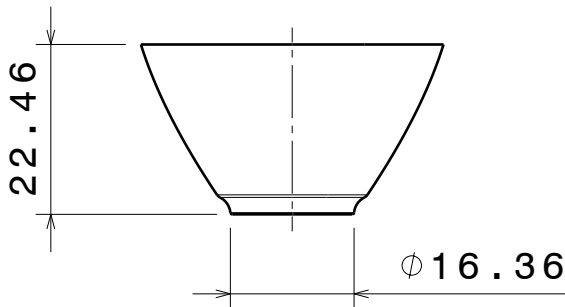


D

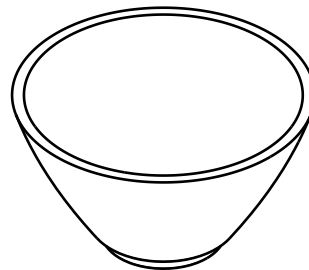
C

B

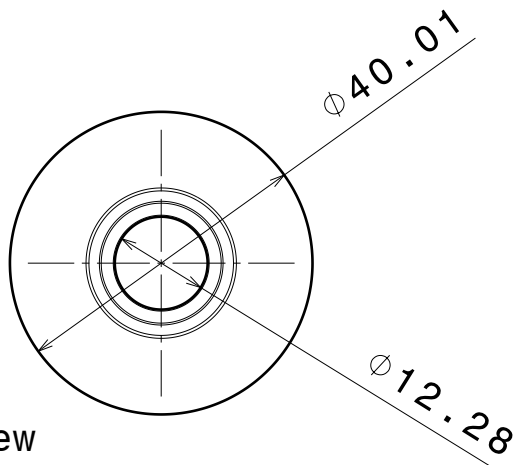
A



Front view



Isometric view



Bottom view

INDEX	PART NO	DESCRIPTION	MATERIAL	COLOUR
1	C12359	TYRA3-WW	PC	metal

Tolerances if not otherwise shown
 According to DIN ISO 2768-1
 Linear measures: class C
 According to DIN ISO 2768-2
 Form and position: class L



Ledil Oy
 Salorankatu 10
 FIN 24240 SALO
 Finland

THIRD ANGLE PROJECTION:



DRAWING TITLE

C12359_TYRA3-WW

This drawing is the property
 of LEDiL Oy. It may not be
 reproduced, copied or
 communicated without a written
 agreement with LEDiL Oy.

SIZE PART NUMBER

A4

C12359

SCALE 1:1 WEIGHT 5,28 g SHEET 1/1

D

A

4

4

3

3

2

2

1

1