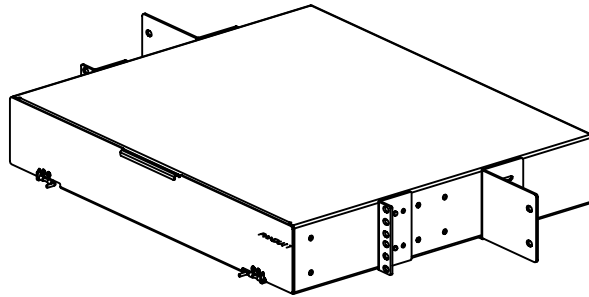
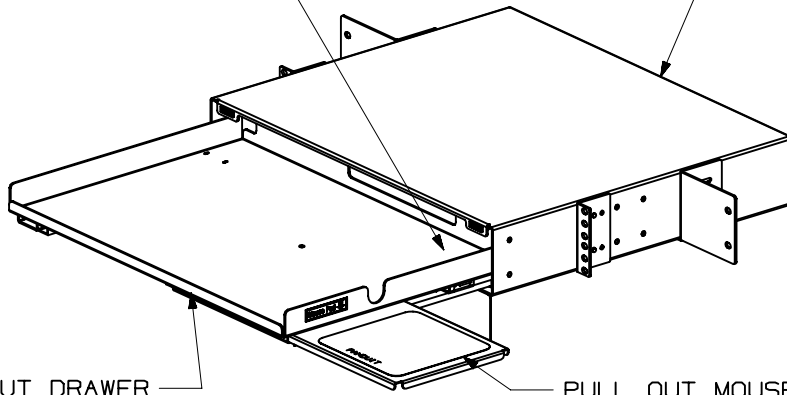


THIS COPY IS PROVIDED ON A RESTRICTED BASIS AND IS NOT TO BE USED IN ANY WAY DETRIMENTAL TO THE INTERESTS OF PANDUIT CORP.



ENCLOSURE HOUSING

AREA FOR MOUSE WHEN KEYBOARD IS RETRACTED



PULL OUT DRAWER

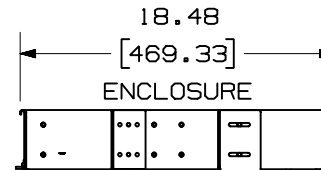
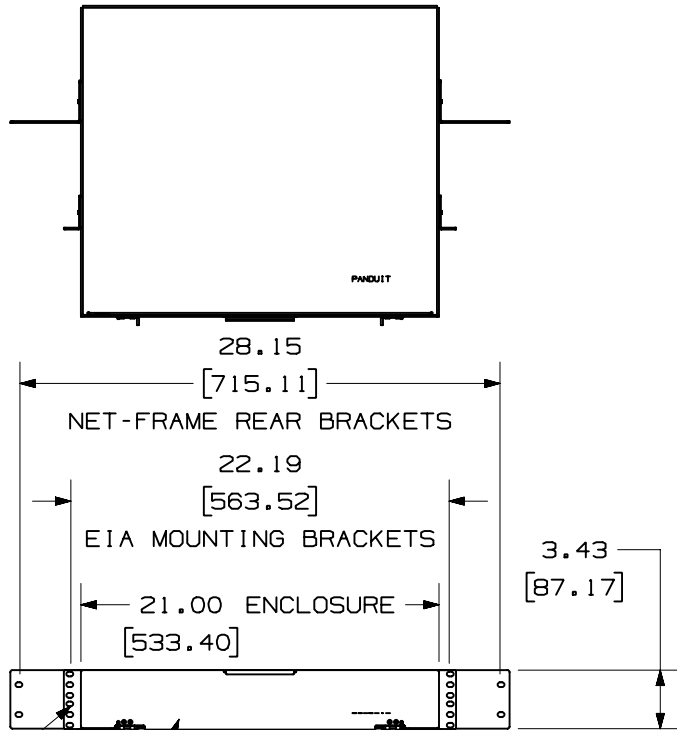
PULL OUT MOUSE TRAY PAD

NOTES:

1. SEE CATALOG FOR COMPLETE LIST OF PARTS APPLICABLE FOR USE WITH THIS PART.
2. DIMENSIONS IN PARENTHESES ARE IN METRIC.
3. KEYBOARD/MONITOR SHELF ENCLOSURE:
  - A, ENCLOSURE MOUNTS TO A STANDARD EIA 23" RACK AND USES 2 RACK UNITS (3.50") OF SPACE.
  - B, ENCLOSURE CAN BE FLUSH MOUNTED FOR INCABINET MOUNTING OR MOUNTED 5" EXTENDED FROM FRONT FACE OF UNIT (AS SHOWN).
  - C, KEYBOARD TRAY IS SUPPLIED WITH A PULL OUT MOUSE TRAY PAD MOUNTED ON THE RIGHT SIDE.
  - D, KEYBOARD TRAY WILL SUPPORT A STANDARD SIZE 20.75" LONG X 9.00" WIDE KEYBOARD.
  - E, ENCLOSURE AND ALL MAIN COMPONENTS ARE MADE OF HEAVY GAUGE ALUMINUM.
  - F, PULL OUT KEYBOARD DRAWER HAS 3/4 EXTENSION HEAVY DUTY BALL BEARING SLIDES.
  - G, ENCLOSURE FRONT DOOR SWINGS DOWN 180° AND IS REMOVABLE.
  - H, ENCLOSURE AND ALL COMPONENTS ARE PAINTED TEXTURED BLACK.
  - I, ENCLOSURE IS SUPPLIED WITH MOUNTING BRACKETS, HARDWARE KIT AND FULL SIZE KEYBOARD WRIST PAD (NOT SHOWN).
  - J, TOP SURFACE OF ENCLOSURE WILL SUPPORT 200 POUNDS.

PANDUIT PART NUMBER: SRM23MK2				WEIGHT: 15.20 LB PER UNIT 6895 G PER UNIT				CAD FILENAME/LAYERS: M10007AA_DC_03A.PRT			
								<h1 style="margin: 0;">PANDUIT</h1> <p style="margin: 0;">CORP. TINLEY PARK, ILLINOIS</p>			
								<p style="margin: 0;">KEYBOARD/MONITOR SHELF ENCLOSURE</p> <p style="margin: 0;">SRM23MK2</p> <p style="margin: 0;">CUSTOMER DRAWING</p>			
								<p style="margin: 0;">UNLESS OTHERWISE SPECIFIED, DIMENSIONAL TOLERANCES ARE:</p> <p style="margin: 0;">(.X) ± .03 (.XXX) ± .005</p> <p style="margin: 0;">(.XX) ± .01 ANGLES ± 1°</p>			
								<p style="margin: 0;">UNLESS OTHERWISE SPECIFIED, ALL DIMENSIONS ARE GIVEN IN INCHES, THIRD ANGLE PROJECTION.</p>			
				DRAWN BY: JsP				SCALE: 1:8			
R 3-28-01 JsP RELEASED FOR PRODUCTION				10007-29				DATE: 3-28-01			
								<p style="margin: 0;">SEE NOTES</p>			
								DRAWING NO. 10007-29 SHT 1 OF 2			
								<p style="margin: 0;">A</p> <p style="margin: 0;">SIZE</p>			
REV	DATE	BY	CHK	DESCRIPTION	ECN	R	CUST	SUP	OTH		

THIS COPY IS PROVIDED ON A RESTRICTED BASIS AND IS NOT TO BE USED IN ANY WAY DETRIMENTAL TO THE INTERESTS OF PANDUIT CORP.



DOOR - REMOVABLE  
 STANDARD EIA SPACING MOUNTING BRACKETS  
 (4) SUPPLIED WITH ENCLOSURE

CAD FILENAME/LAYERS		M10007AA_DC_03A.PRT	
		CORP. TINLEY PARK, ILLINOIS	
		KEYBOARD/MONITOR SHELF ENCLOSURE	
		SRM23MK2 CUSTOMER DRAWING	
UNLESS OTHERWISE SPECIFIED, DIMENSIONAL TOLERANCES ARE:		UNLESS OTHERWISE SPECIFIED, ALL DIMENSIONS ARE GIVEN IN INCHES, THIRD ANGLE PROJECTION.	
(.X) ± .03 (.XX) ± .01		(.XXX) ± .005 ANGLES ± 1°	
DRAWN BY JsP		MAT'L:	
DATE 3-28-01		SEE NOTES	
CHK'D			
SCALE		NONE	
DRAWING NO.		DWG	
10007-29		A	
SHT 2 OF 2		SIZE	

R	3-28-01	JsP		RELEASED FOR PRODUCTION	10007-29														
REV	DATE	BY	CHK	DESCRIPTION	ECN	R	CUST	SUP	OTH										