

# LED CONTROLLER

The LED Dual Remote Controller is designed for LED lighting control. It can control modules, LED ribbons, LED bars, High Power LED modules and other LED lighting fixtures.

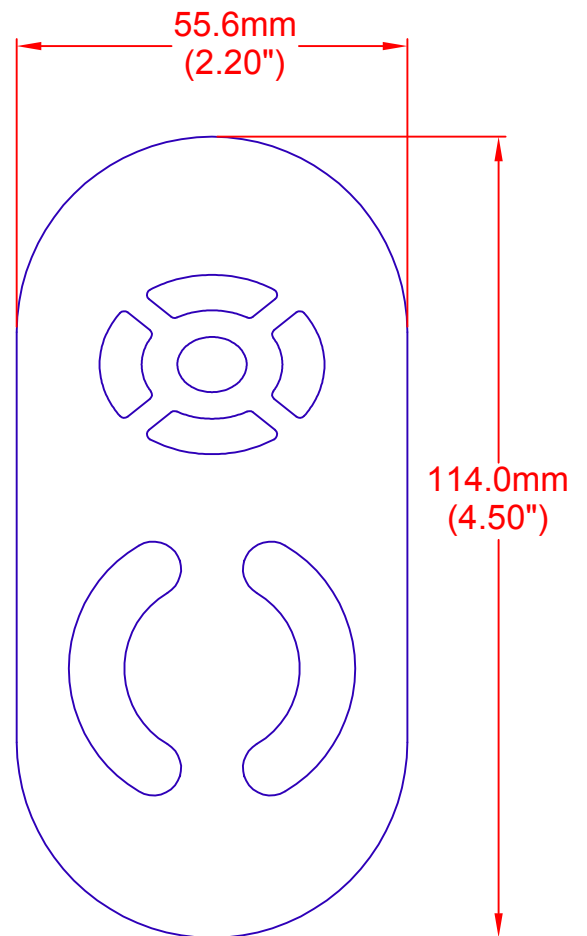
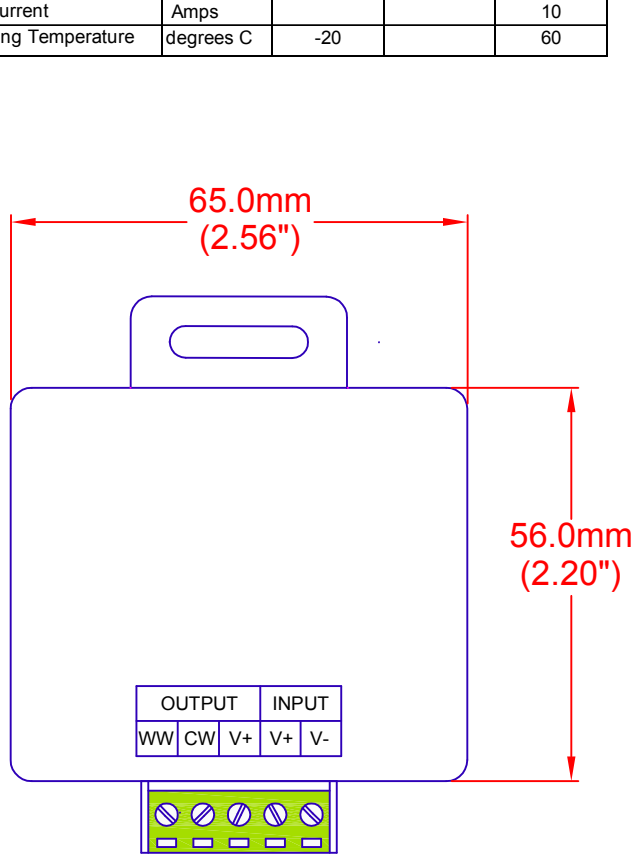
## FEATURES

- Seven Button Wireless Remote Control.
- Common Anode CMOS Outputs.
- Multiple Controllers with One Remote



## RATINGS

CHARACTERISTICS	UNIT	MINIMUM	TYPICAL	MAXIMUM
Input Voltage	Volts DC		12	24
Load Current	Amps			10
Operating Temperature	degrees C	-20		60



DIMENSIONS ARE FOR REFERENCE ONLY.

JKL PART NO.: ZCTR-05

		 THIRD ANGLE PROJECTION		DIMENSIONS ARE IN mm (INCHES) TOLERANCE UNLESS OTHERWISE SPECIFIED 1 PL +/- REF. 2 PL +/- ANGLE +/-		<b>JKL COMPONENTS CORPORATION</b>				
				DRAWN BY L. WENGSTROM APPV'D BY L.R. DATE 7/10/14		SIZE <b>A</b>	FSCM NO. <b>55335</b>	DRAWING NO. <b>ZCTR-05</b>		
				- CAD DRAWING - MANUAL REVISIONS NOT PERMITTED		SCALE NONE	RELEASED DATE 3/31/14	REVISION DATE 7/10/14	REV. NO. <b>A</b>	SHEET 1 OF 2
REV. NO.	DESCRIPTION/ECO NUMBER	APPV'D DATE								
A	NEW DESIGN & PHOTO RELEASE	7/10/14 3/31/14								

The ZCTR-05 is a multi-function touch LED remote control with a receiver controller for dual color temperature LED flex ribbon. It is used to adjust the warmth of color seen as well as the brightness of the LEDs. In conjunction with the ZFS-105000-DBW flex ribbon the controller can adjust the color temperature of the flex ribbon from 6000°K to 3000°K continuously and adjust the brightness from 100% to 20%. Once the light color and brightness is set the controller's memory will retain the setting even after the power has been turned off.

The ZCTR-05 receiver controller can handle up to 10 Amps of load, 5.0 Amps for each color string, with either 12 Volts DC or 24 Volts DC for the input voltage. This is equivalent to running 11.9 meters or 39 feet of the ZFS-105000-DBW. Other flex ribbons or ridged bars can be used; please consult with your JKL company representative for information on how to use other LED devices with the ZCTR-05 controller.

The ZCTR-05 controller is easy to set-up and use. The remote control needs 3 AAA batteries (supplied) placed in it and the cover snapped shut. The LED flex ribbon should be placed out where it is to be used and the wiring should be connected to the receiver controller. The tan wire should be connected to the V+ on the output of the controller box. The center white wire should be connected to the CW output and the outside white wire should be connected to the WW output. Power can be applied by connecting a power supply to the input terminal of the connector making sure that the red or positive line goes to the "+" terminal and the black or negative line goes to the "-" terminal. Apply power to the power supply and the system is ready to use. There are two more buttons on the receiver controller. One labeled "match" and the other labeled "function". The match button allows the user to match multiple controllers to one remote control increasing the amount of light controlled by one remote control. Different areas or equipment can be synced together to form a unified lighting field. The function key will adjust the color temperature of the individual controller's LEDs from cool white to warm white in 11 steps and in 10 % increments.

With the remote control held in your hand with the red and green buttons to the top and the large circle to the bottom press the red button in the center of the remote control to turn on the LEDs. To turn off the LEDs press the same button. The top green button will give 100% brightness when pressed, the right green button will give 75% of the total amount of light, the bottom button will give 50% of the total amount of light, and the left button will give 25% of the total amount of light. To control the color temperature of the light use the right half of the circle by placing a finger on the circle and moving it up or down the circle to change the color of the light. Up will make the light a warmer color and down will make the light cooler. The brightness can also be controlled by using the left half of the circle. Up will make the light brighter and as you slide your finger down the left side of the circle the light will get dimmer.

There are several precautions that should be taken while planning and assembling the light ribbon, controller, and power supply. Make sure the power supply is of the constant voltage type. Plan the installation of the controller in a well-ventilated area so the controller temperature will not rise above the maximum operating temperature. Make sure all connections are tight, loose connections can lead to overheating and fires. Make sure all connections are done correctly; all positive indications connected together, all negative indications connected together.

Do not connect the power to the power supply until all other connections are completed first. Turn off the power before making any changes to the system.

<b>JKL</b> COMPONENTS CORPORATION			
SIZE <b>A</b>	FSCM NO. <b>55335</b>	DRAWING NO. <b>ZCTR-05</b>	SHEET <b>2 OF 2</b>