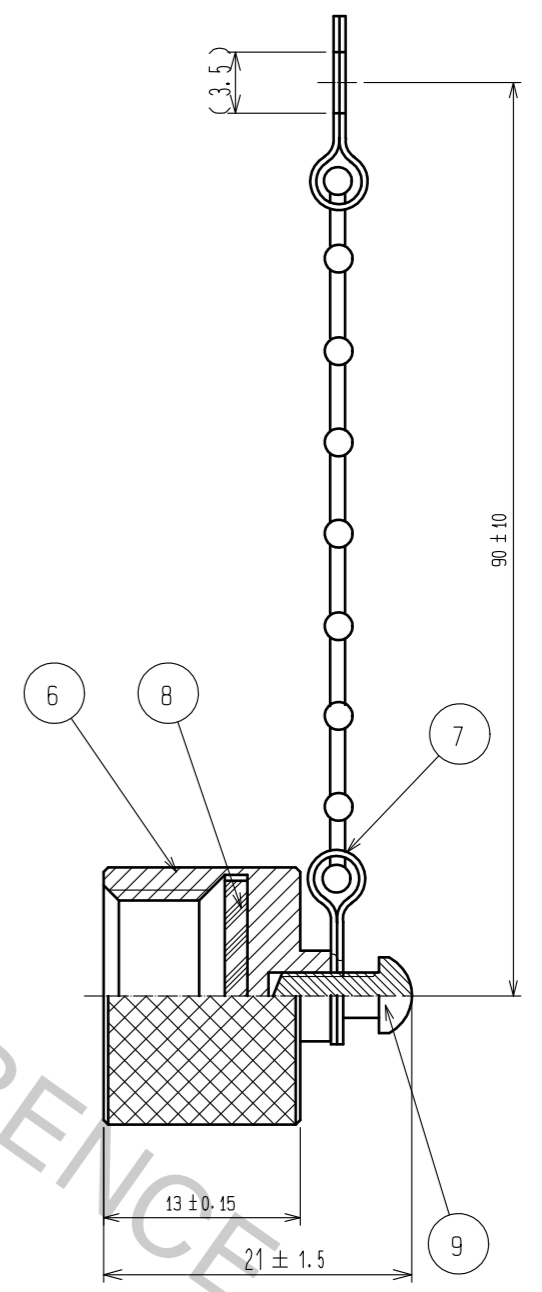
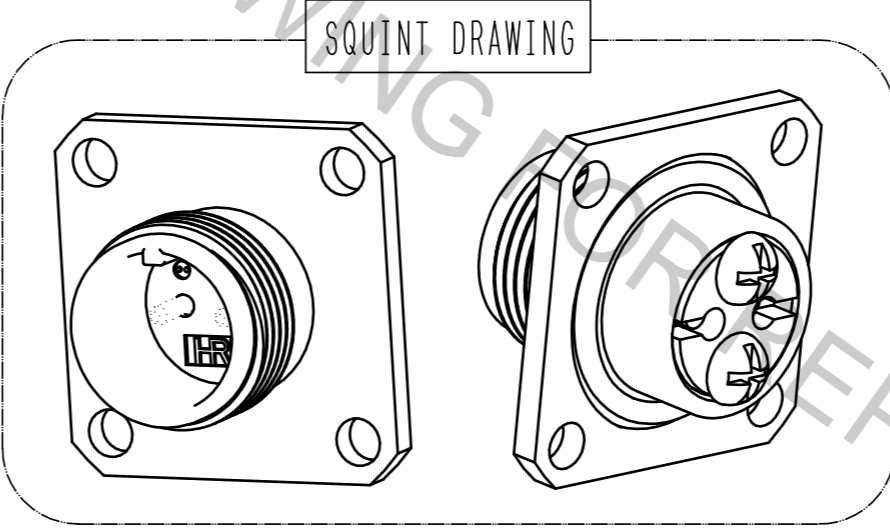
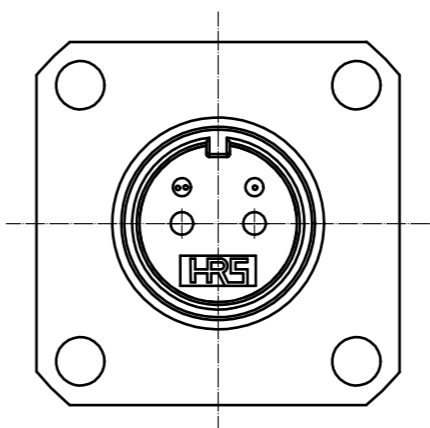
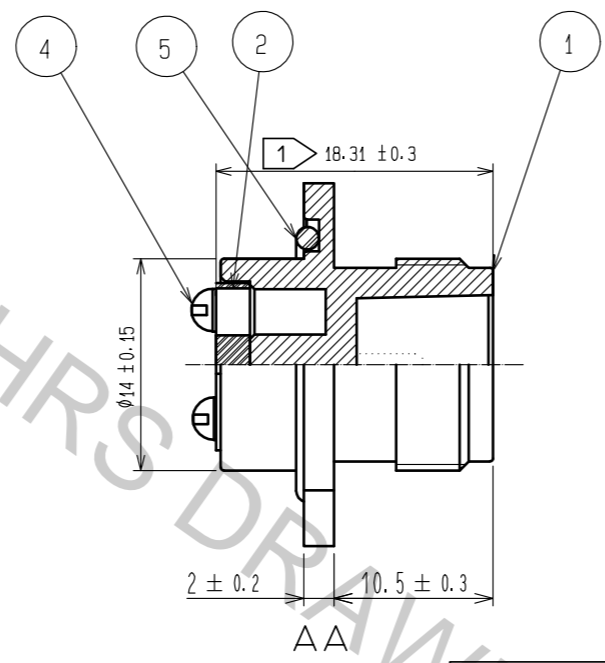
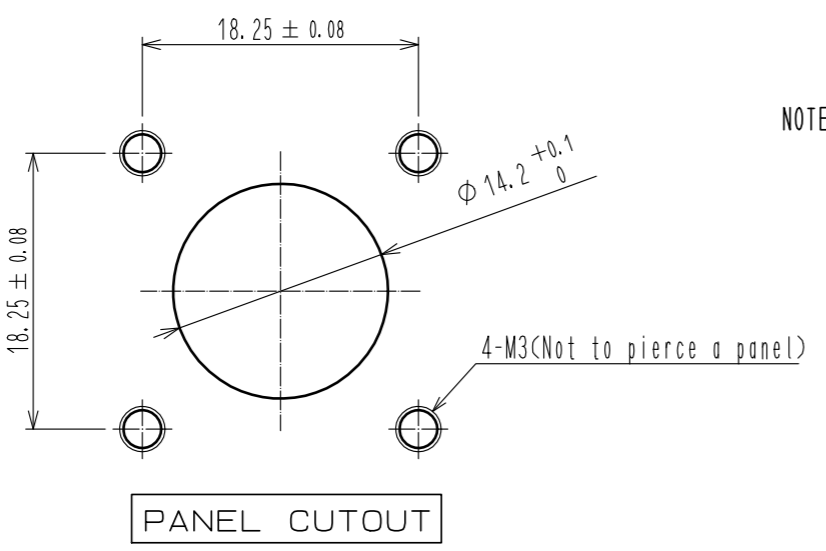
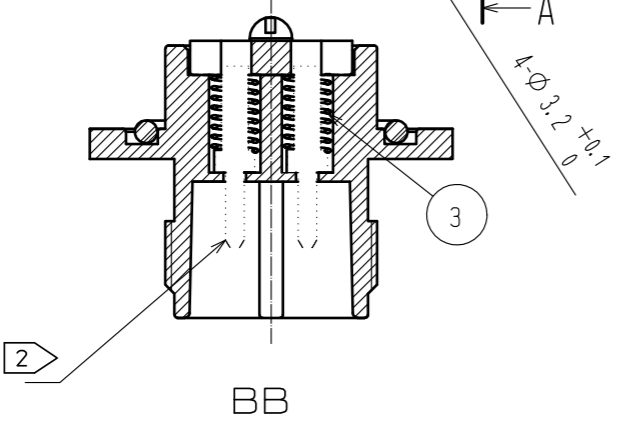
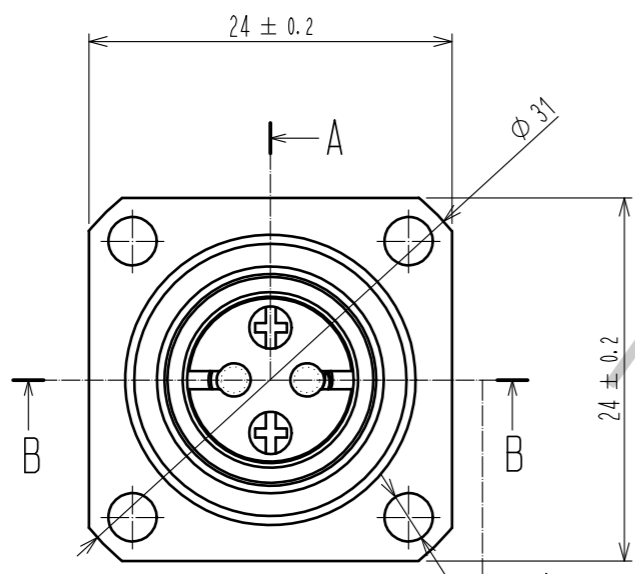


Aug.1.2018 Copyright 2018 HIROSE ELECTRIC CO., LTD. All Rights Reserved.
 In case that the application demands a high level of reliability, such as automotive,
 please contact a company representative for further information.



NOTE 1 THIS DIMENSION SHOWS AFTER ASSEMBLING.
 2 THIS PART IS NOT CONTAINED. PLEASE USE AN OPTIONAL MU FERRULE.

Depnd on system

NO.	MATERIAL	FINISH . REMARKS	NO.	MATERIAL	FINISH . REMARKS
5	SYNTHETIC RUBBER		9	STAINLESS STEEL	NYELOCK
4	STAINLESS STEEL		8	SYNTHETIC RUBBER	
3	PIANO WIRE	ZINC PLATING	7	STAINLESS STEEL	
2	SYNTHETIC RESIN		6	ALUMINIUM ALLOY	ANODIC OXIDE COATING
1	ZINC DIECAST	NICKEL PLATING			

UNITS	SCALE	COUNT	DESCRIPTION OF REVISIONS	DESIGNED	CHECKED	DATE
mm	2 : 1	1	DIS-K-00001425	TY. SATO	FS. YOSHIDA	18. 03. 26

APPROVED	DATE	DRAWING NO.
MT. SHIBUTANI	18. 03. 16	EDC-176610-34-00
CHECED	DATE	PART NO.
FS. YOSHIDA	18. 03. 16	MF10S-WDRFNG01-0200(34)
DESIGNED	DATE	CODE NO.
SI. MATSUMOTO	18. 03. 16	CL709-0549-7-34
DRAWN	DATE	
SR. TOYOKAWA	18. 03. 16	