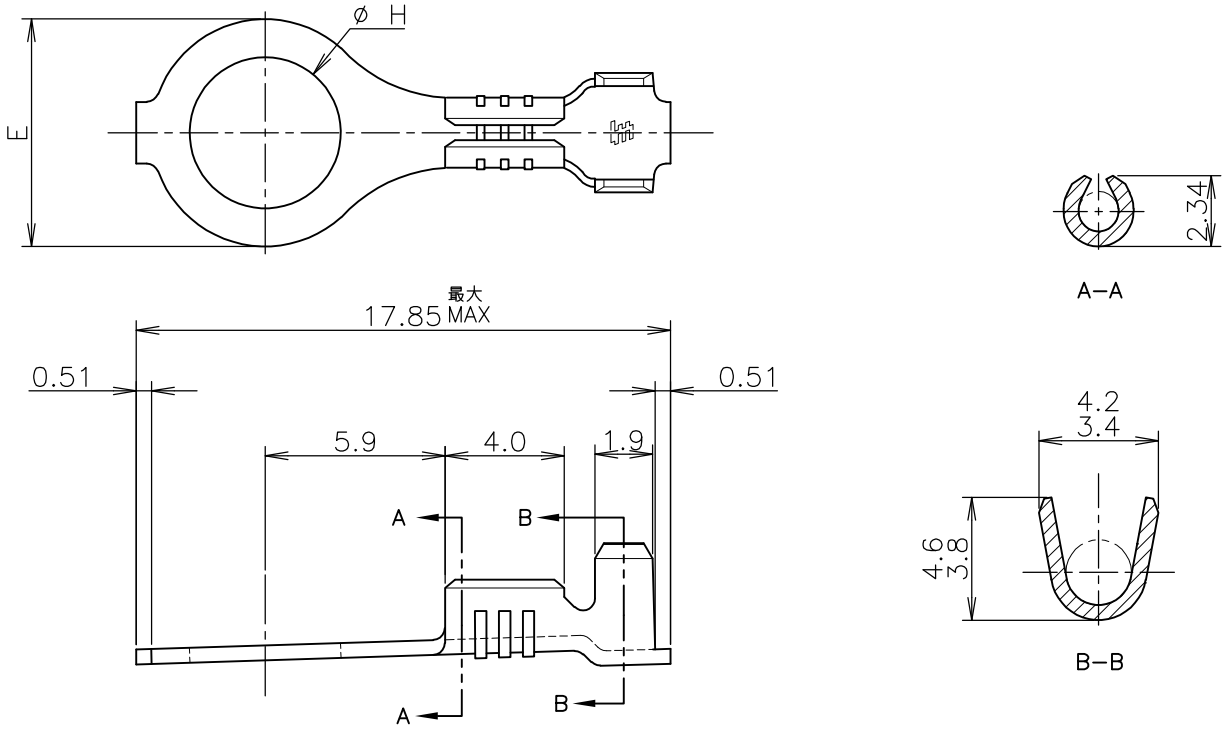


LOC J	DIST /	REVISIONS 変更			DATE	DWN	APVD
		P	LTR	DESCRIPTION			
			B	REDRAWN AND REVISED ECR-10-023816	26NOV2010	T.T	T.M

-2; AS SHOWN



#8	4.34	6.5	1-170225-2	TIN PL 錫めっき	171627-2
STUD	H±0.08	E±0.17	STRIP NO.	FINISH	P/N
	DIMENSIONS		連鎖状端子型番	仕上	ばら状端子型番

CLASS 分類	RING 丸型	TYPE 型式	WIRE RANGE 抱合電線断面積 AWG #22-#18 0.3~0.89 mm ²	INSULATION DIA 被覆外径 1.52~2.79 mmφ
----------	---------	---------	---	-----------------------------------

DIMENSIONS: 単位: 耗 mm	DWN T.TSUZAKI 25NOV2010	MATERIAL 材料 黄銅 BRASS 0.5t	FINISH 仕上 表参照 SEE TABLE
----------------------	-------------------------	---------------------------	-------------------------

TOLERANCES UNLESS OTHERWISE SPECIFIED: 一般公差

- 0 PLC ±
- 1 PLC ±
- 2 PLC ± ±0.4
- 3 PLC ±
- 4 PLC ±
- ANGLES ± 1'

CHK T.MASUDA 26NOV2010	APVD T.MASUDA 26NOV2010
------------------------	-------------------------

PRODUCT SPEC 製品規格

APPLICATION SPEC 取付適用規格

WEIGHT

Tyco Electronics Tyco Electronics Corporation Kawasaki, Japan

NAME 名称 RING TERMINAL LOOSE PIECE

SIZE A4	CAGE CODE 00779	DRAWING NO 番号 171627	RESTRICTED TO
---------	-----------------	----------------------	---------------

CUSTOMER DRAWING	SCALE 尺度 4:1	SHEET 1 OF 1	REV B
------------------	--------------	--------------	-------

RELEASED FOR PUBLICATION OCT , 1982.

ALL INTERNATIONAL RIGHTS RESERVED.

THIS DRAWING IS UNPUBLISHED.

ALL INTERNATIONAL RIGHTS RESERVED.

© COPYRIGHT 1982 BY TYCO ELECTRONICS CORPORATION.