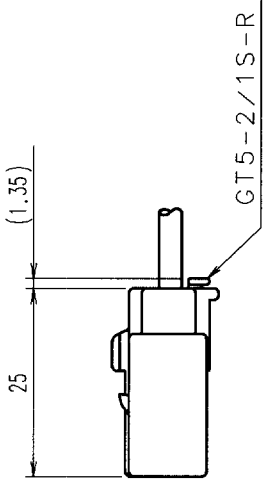
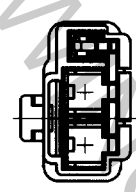
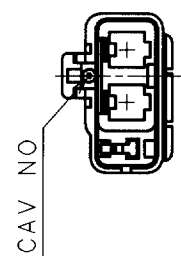
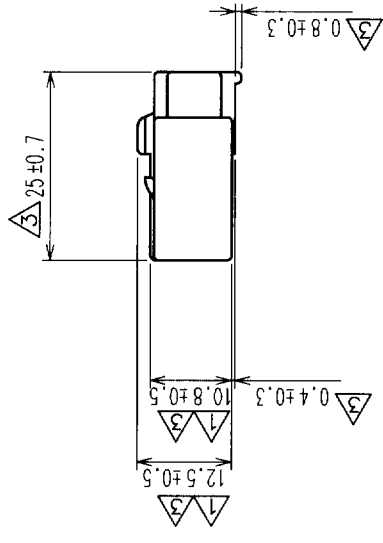
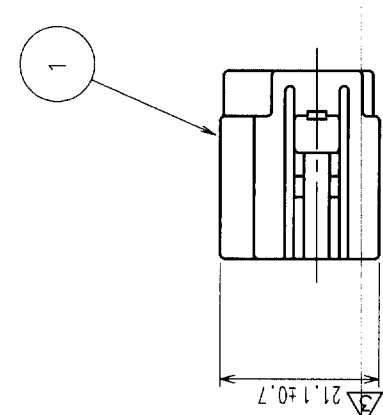


COUNT	DESCRIPTION OF REVISIONS	BY	CHKD	DATE	COUNT	DESCRIPTION OF REVISIONS	BY	CHKD	DATE
3	RE-H-0685	N.N.K.S.		'93.3.4					
1	RE-H-1325	N.N.K.S.		'94.12.29					
8	RE-T-00607	T.I.M.C.		'91.11.28					

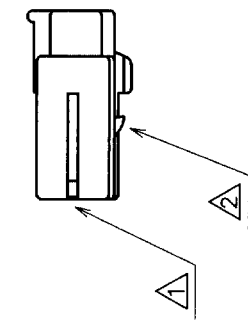
NOTE1. THIS CONNECTOR SHALL BE USED WITH A RETAINER
(CL755-0003-4).

PECULIAR SPECIFICATION CHART

PART NO.	CL NO.	SPECIFICATION
GT5-2/1S-HU	755-0009-0	LIGHT GRAY
GT5-2/1S-HU (20)	755-0009-0-20	ORANGE
GT5-2/1S-HU (21)	755-0009-0-21	BLUE



CONNECTOR ASSEMBLED WITH A RETAINER



TO			
----	--	--	--

NO.	PBT	MATERIAL	FINISH, REMARKS	NO.	MATERIAL	FINISH, REMARKS
1						

NO.	MATERIAL	FINISH, REMARKS	NO.	MATERIAL	FINISH, REMARKS
1					

CODE NO. (OLD)	CL559-0128-9	FINISH, REMARKS	NO.	MATERIAL	FINISH, REMARKS

DRAWN	DESIGNED	CHECKED	APPROVED	RELEASED
N.NAKATA '92.8.29	N.NAKATA '92.8.29	K.SATO '92.11.5	M.YAMAMOTO '92.11.5	

DRAWING NO.	PART NO.
EDC3-84644	GT5-2/1S-HU

SCALE	UNITS
1 : 1	MM

DATE	BY	CHKD	DATE