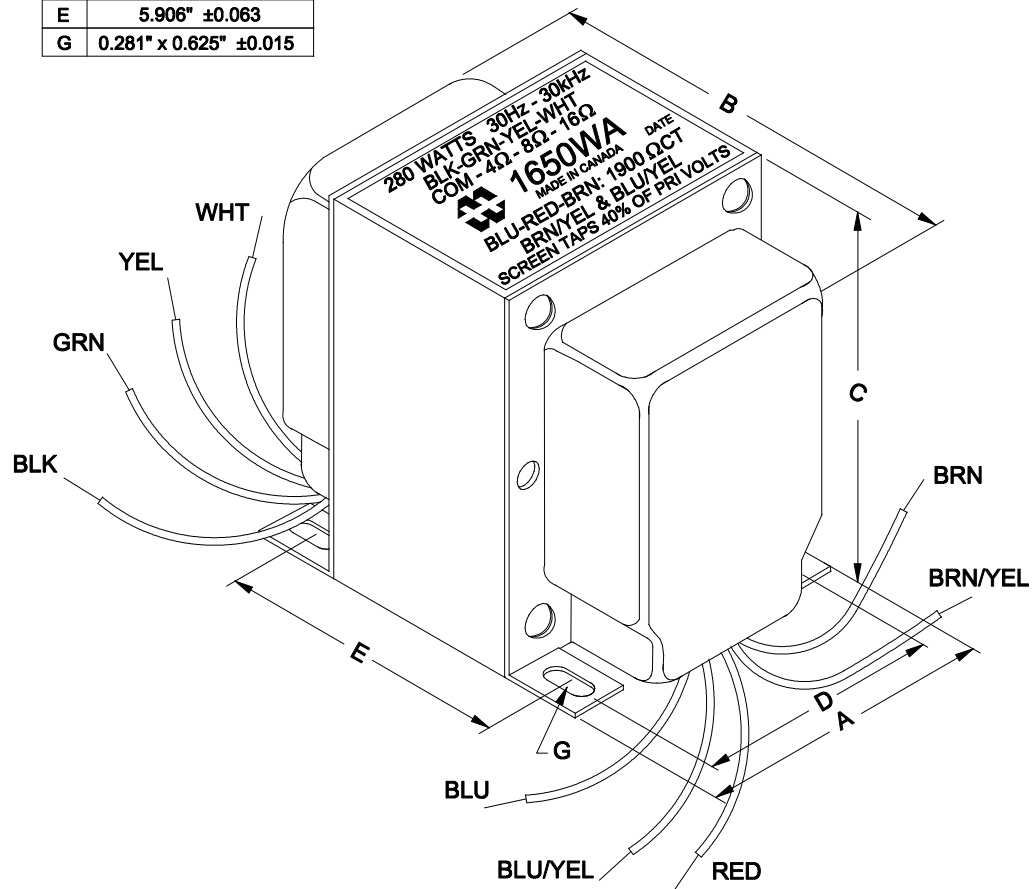
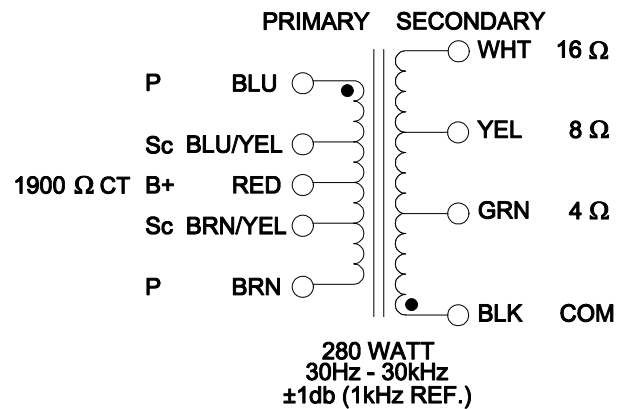


DIMENSIONS:	
A	4.375" ±0.063
B	7.500" ±0.125
C	5.298" ±0.063
D	3.500" ±0.063
E	5.906" ±0.063
G	0.281" x 0.625" ±0.015



NOTE: ALL LEADS 8" OUT MIN.



ELECTRICAL DATA:		
TESTS	CONDITIONS	ACCEPTANCE CRITERIA
lex	@ 240V, 60Hz, BLU - BRN	5mA Max.
Sec. N.L.V	@ 240V, 60Hz, BLU - BRN	
	BLU - BLU/YEL =	71.82V ±2%
	BLU - RED = RED - BRN =	120.0V ±2%
	BLU - BRN/YEL =	168.2V ±2%
	BLK - GRN =	11.01V ±2%
	BLK - YEL =	15.60V ±2%
	BLK - WHT =	22.03V ±2%
DCR	@ 20°C, BLU - RED =	15.65 Ω ±20%
	@ 20°C, RED - BRN =	17.19 Ω ±20%
	@ 20°C, BLK - GRN =	0.152 Ω ±20%
	@ 20°C, BLK - YEL =	0.217 Ω ±20%
	@ 20°C, BLK - WHT =	0.203 Ω ±20%
HIPOT	PRIMARY - SECONDARY	3535VDC, 1 SEC

REV.#	REVISION	DATE	HAMMOND ELECTRONIC DIVISION		52 RANKIN PLACE, WATERLOO, ONTARIO, N2J 3Z5		PH # (519) 886-6181
0	RELEASED.	08/08/13	MANUFACTURING™				FAX # (519) 886-9540
			DWG. BY: C. ILIE	CHK'D BY:	TITLE: 1650WA	DWG. NO.	
			DATE: 08/08/13	APP'D. BY:	TRANSFORMER	1650WA	
				DIMENSIONS: IN(X) MM()			