



# LCD Module Technical Specification

First Edition  
Jun 28, 2002

Final Revision  
\*\*\*\*\*

Type No. **C-51505NFQJ-LW-AD**

Approved by (Production Div.)

Checked by (Quality Assurance Div.)

Checked by (Design Engineering Div.)

Prepared by (Production Div.)

## Table of Contents

1. General Specifications .....	2
2. Electrical Specifications .....	3
3. Optical Specifications .....	7
4. I/O Terminal.....	9
5. Test.....	11
6. Appearance Standards.....	12
7. Code System of Production Lot.....	16
8. Type Number.....	16
9. Applying Precautions .....	16
10. Precautions Relating Product Handling.....	17
11. Warranty .....	18

## Revision History

Rev.	Date	Page	Comment

## 1.General Specifications

Operating Temp.	:	min. -20°C ~ max. 70°C
Storage Temp.	:	min. -20°C ~ max. 70°C
Display Format	:	20 characters × 2 lines
Display Fonts	:	5 × 8 dots ( 1 character )
Viewing Area	:	83.0 (W) × 18.6 (H) mm
Outline Dimensions	:	116.0 (W) × 37.0 (H) × (15.6) (D) mm
Weight	:	42.9g max.
LCD Type	:	NTD-21333 ( STN / Color-mode / Transmissive)
Viewing Angle	:	6:00
Data Transfer	:	8-bit parallel data transfer
Backlight	:	LED Backlight / White
Additional Spec	:	Vivid Color Display Specification (High Performance Color Film is Used)
Drawings	:	Dimensional Outline UE-311044

## 2. Electrical Specifications

### 2.1. Absolute Maximum Ratings

V<sub>SS</sub>=0V

Parameter	Symbol	Conditions	Min.	Max.	Units
Supply Voltage (Logic)	V <sub>CC</sub> -V <sub>SS</sub>	-	-0.3	7.0	V
Supply Voltage (LCD Drive)	V <sub>CC</sub> -V <sub>EE</sub>	-	-0.3	13.5	V
Input Voltage	V <sub>I</sub>	-	-0.3	V <sub>CC</sub> +0.3	V

### 2.2. DC Characteristics

T<sub>a</sub>=25°C, V<sub>CC</sub>=5V, V<sub>SS</sub>=V<sub>EE</sub>=0V

Parameter	Symbol	Conditions	Min.	Typ.	Max.	Units
Supply Voltage (Logic)	V <sub>CC</sub> -V <sub>SS</sub>	-	4.5	-	5.5	V
Supply Voltage (LCD Drive)	V <sub>CC</sub> -V <sub>EE</sub>	Shown in 3.1				V
High Level Input Voltage	V <sub>IH</sub>	-	2.2	-	V <sub>CC</sub>	V
Low Level Input Voltage	V <sub>IL</sub>	-	-0.3	-	0.8	V
High Level Output Voltage	V <sub>OH</sub>	I <sub>OH</sub> =-0.25mA	2.4	-	-	V
Low Level Output Voltage	V <sub>OL</sub>	I <sub>OL</sub> =1.2mA	-	-	0.4	V
Supply Current	I <sub>CC</sub>	V <sub>CC</sub> -V <sub>SS</sub> =5.3V	-	2.0	3.0	mA

All voltage values are referenced to V<sub>SS</sub> =0V

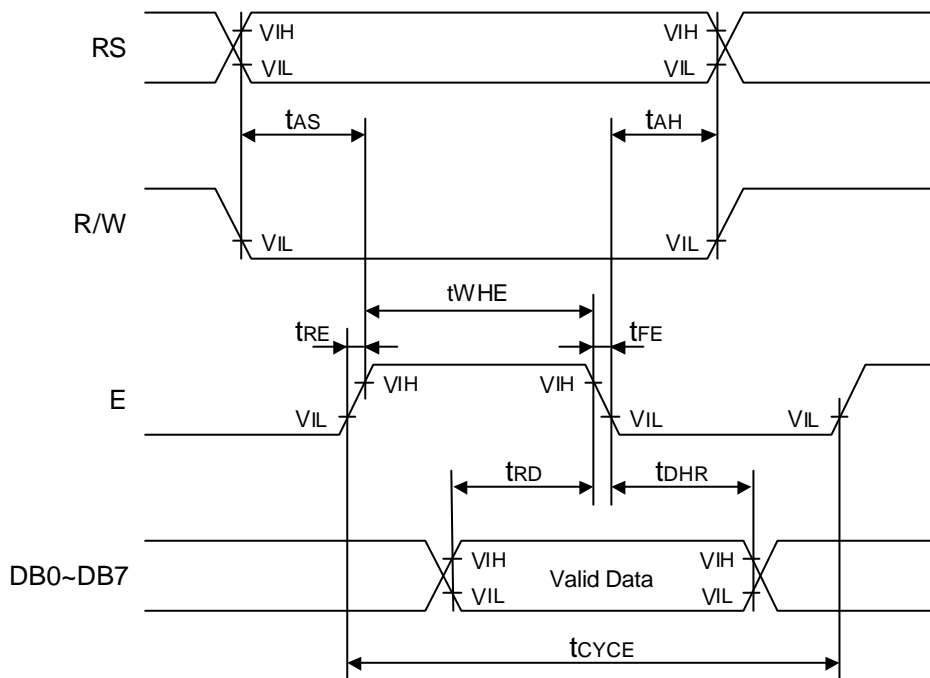
V<sub>1</sub> to V<sub>5</sub> must maintain V<sub>DD</sub> ≥ V<sub>1</sub> ≥ V<sub>2</sub> ≥ V<sub>3</sub> ≥ V<sub>4</sub> ≥ V<sub>5</sub>.

### 2.3.AC Characteristic

#### Read Operation

V<sub>CC</sub>=5.0V±10%

Parameter	Symbol	Min.	Max.	Units
Enable Cycle Time	t <sub>CYCE</sub>	500	-	ns
Enable "H" Level Pulse Width	t <sub>WHE</sub>	300	-	ns
Enable Rise/Fall Time	t <sub>RE</sub> , t <sub>FE</sub>	-	25	ns
RS,R/W Setup Time (8-bit operation mode) (4-bit operation mode)	t <sub>AS</sub>	60 100	-	ns
RS,R/W Address Hold Time	t <sub>AH</sub>	10	-	ns
Read Data Output Delay	t <sub>RD</sub>	-	190	ns
Read Data Hold Time	t <sub>DHR</sub>	20	-	ns

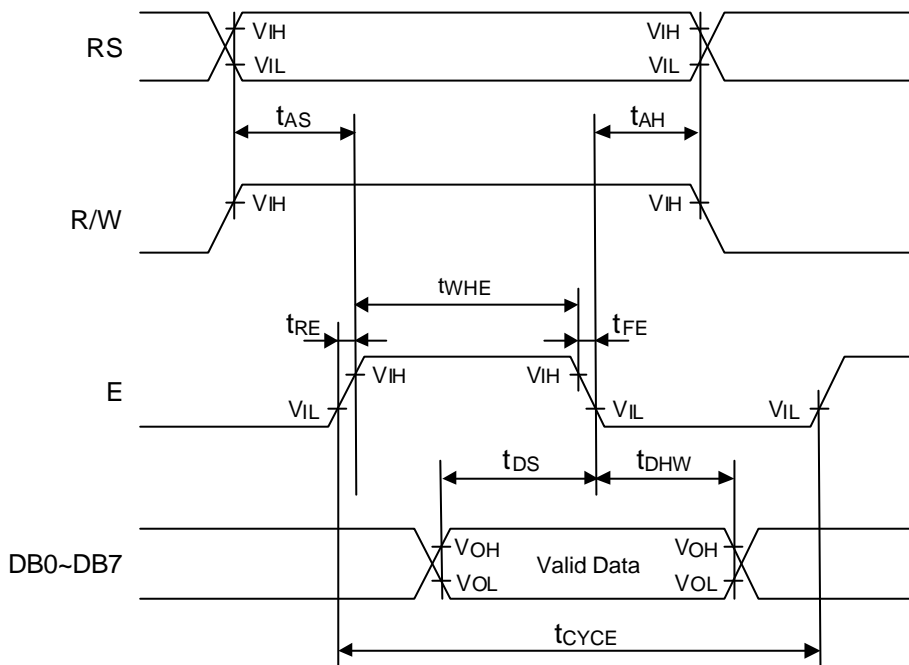


Read Operation Timing

Write Operation

V<sub>CC</sub>=5.0V±10%

Parameter	Symbol	Min.	Max.	Units
Enable Cycle Time	t <sub>CYCE</sub>	500	-	ns
Enable "H" Level Pulse Width	t <sub>WHE</sub>	300	-	ns
Enable Rise/Fall Time	t <sub>RE</sub> , t <sub>FE</sub>	-	25	ns
RS,R/W Setup Time (8-bit operation mode) (4-bit operation mode)	t <sub>AS</sub>	60 100	-	ns
RS,R/W Address Hold Time	t <sub>AH</sub>	10	-	ns
Data Output Delay	t <sub>DS</sub>	-	-	ns
Data Hold Time	t <sub>DHR</sub>	10	-	ns



Write Operation Timing

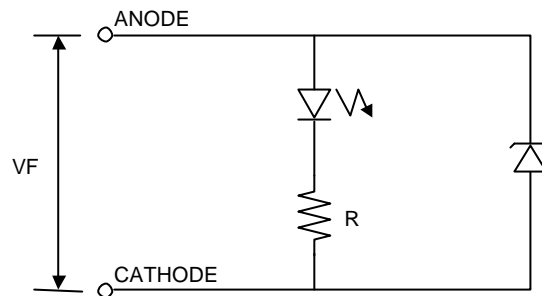
## 2.4. Lighting Specifications

### 2.4.1. Absolute Maximum Ratings

Ta=25°C

Parameter	Symbol	Conditions	Min.	Typ.	Max.	Units
Forward Voltage	V <sub>F</sub>	Note 1	-	-	6.0	V
LED Power Dissipation	P <sub>D</sub>	-	-	-	0.125	mW
Reverse Voltage	V <sub>R</sub>	-	-	-	5.0	V

Note 1 : V<sub>F</sub> is defined as the voltage between ANODE and CATHODE as shown below.



### 2.4.2. Operating Characteristics

Ta=25°C

Parameter	Symbol	Conditions	Min.	Typ.	Max.	Units
Forward Current	I <sub>F</sub>	V <sub>F</sub> =5.0V	-	15	18	mA
Luminance of Backlight Surface	L	V <sub>F</sub> =5.0V	125	-	-	cd/m <sup>2</sup>

### 3. Optical Specifications

#### 3.1. LCD Driving Voltage

Parameter	Symbol	Conditions	Min.	Typ.	Max.	Units
Recommended LCD Driving Voltage Note 1	$V_{CC}-V_{EE}$	$T_a = -20^{\circ}\text{C}$	-	-	5.5	V
		$T_a = 25^{\circ}\text{C}$	4.9	5.3	5.5	V
		$T_a = 70^{\circ}\text{C}$	4.7	-	-	V

Note 1 : Voltage (Applied actual waveform to LCD Module) for the best contrast. The range of minimum and maximum shows tolerance of the operating voltage. The specified contrast ratio and response time are not guaranteed over the entire range.

#### 3.2. Optical Characteristics

$T_a = 25^{\circ}\text{C}$ , 1/16 Duty, 1/5 Bias,  $V_{OD} = 5.5\text{V}$  (Note 4),  $\theta = 0^{\circ}\text{C}$ ,  $\phi = -^{\circ}$

Parameter	Symbol	Conditions	Min.	Typ.	Max.	Units
Contrast Ratio Note 1	CR	$\theta = 0^{\circ}\text{C}$ , $\phi = -^{\circ}$	-	80	-	
Viewing Angle		Shown in 3.3				
Response Time	Rise Note 2	$T_{ON}$	-	45	90	ms
	Decay Note 3	$T_{OFF}$	-	200	300	ms

Note 1 : Contrast ratio is defined as follows. ( $CR = L_{ON} / L_{OFF}$ )

$L_{ON}$  : Luminance of the ON segments

$L_{OFF}$  : Luminance of the OFF segments

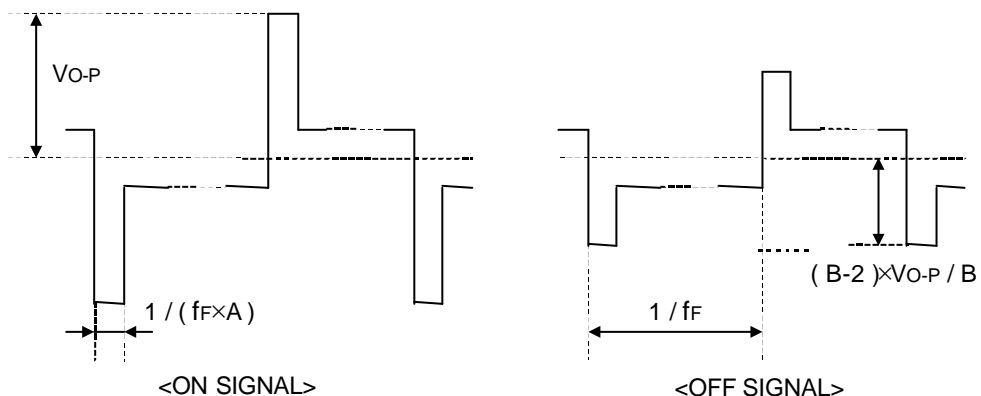
Measuring Spot:  $0.9\text{mm}\phi$

Note 2 : The time that the luminance level reaches 90% of the saturation level from 0% when ON signal is applied.

Note 3 : The time that the luminance level reaches 10% of the saturation level from 100% when OFF signal is applied.

Note 4 : Definition of Driving Voltage  $V_{OD}$

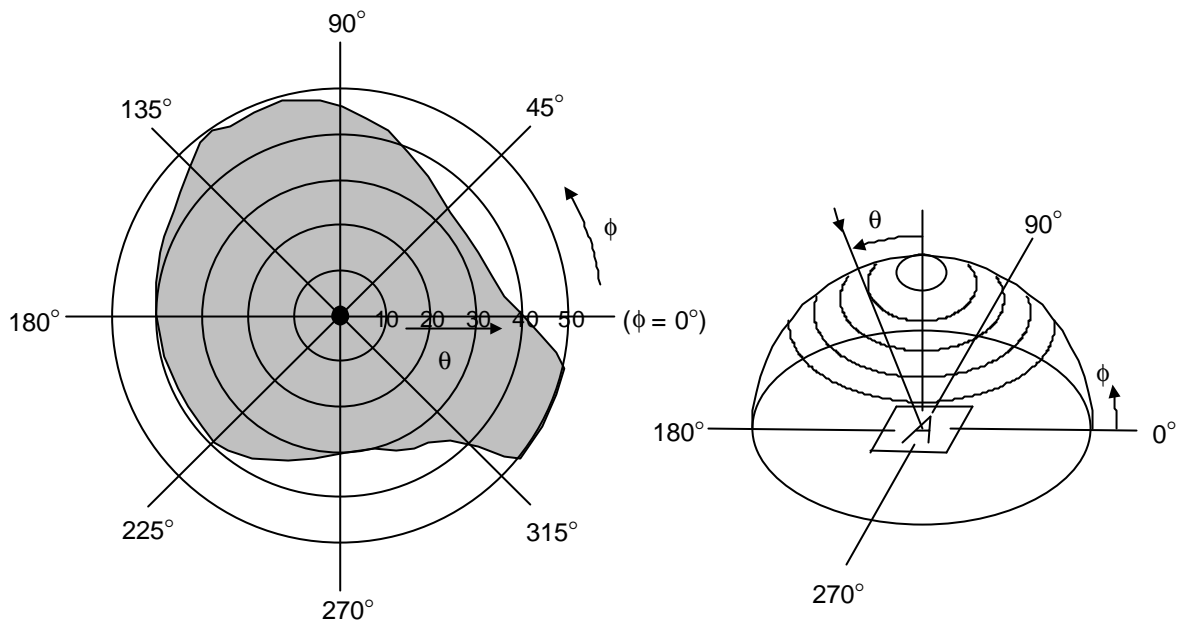
Assuming that the typical driving waveforms shown below are applied to the LCD Panel at 1/A Duty - 1/B Bias (A: Duty Number, B: Bias Number). Driving voltage  $V_{OD}$  is defined as the voltage  $V_{O-P}$  when the contrast ratio ( $CR = L_{ON} / L_{OFF}$ ) is at its maximum.




### 3.3. Definition of Viewing Angle and Optimum Viewing Area

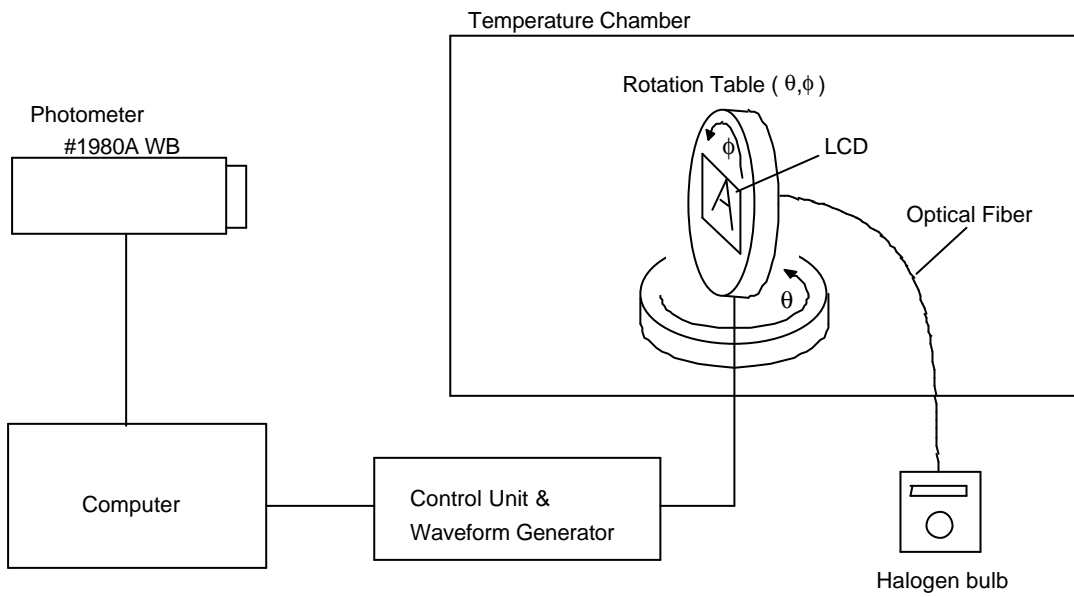
\*Point ● shows the point where contrast ratio is measured. :  $\theta = 0^\circ$ ,  $\phi = -^\circ$

\*Driving condition : 1/16 Duty, 1/5 Bias,  $V_{OD}=5.5V$ ,  $f_F=84.3Hz$



\*Area  shows typ.  $CR \geq 2$  (Measuring Spot:  $0.9mm\phi$ )

### 3.4. System Block Diagram





## 4.I/O Terminal

### 4.1.Pin Assignment

#### CN1

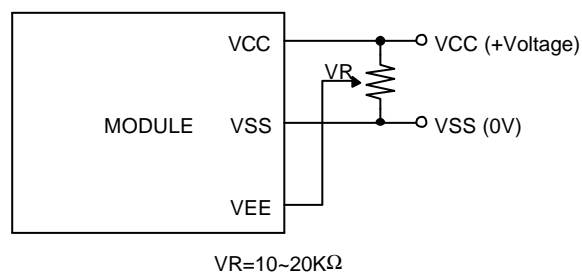
No.	Symbol	Function
1	LED (A)	LED Anode Terminal
2	LED (K)	LED Cathode Terminal
3	V <sub>SS</sub>	Power Supply (0V, GND)
4	V <sub>CC</sub>	Power Supply for Logic
5	V <sub>EE</sub>	Power Supply for LCD Drive
6	RS	Register Select Signal
7	R/W	Read/Write Select Signal H : Read L : Write
8	E	Enable Signal (No pull-up Resister)
9	DB0	Data Bus Line / Non-connection at 4-bit operation
10	DB1	Data Bus Line / Non-connection at 4-bit operation
11	DB2	Data Bus Line / Non-connection at 4-bit operation
12	DB3	Data Bus Line / Non-connection at 4-bit operation
13	DB4	Data Bus Line
14	DB5	Data Bus Line
15	DB6	Data Bus Line
16	DB7	Data Bus Line

#### CN2

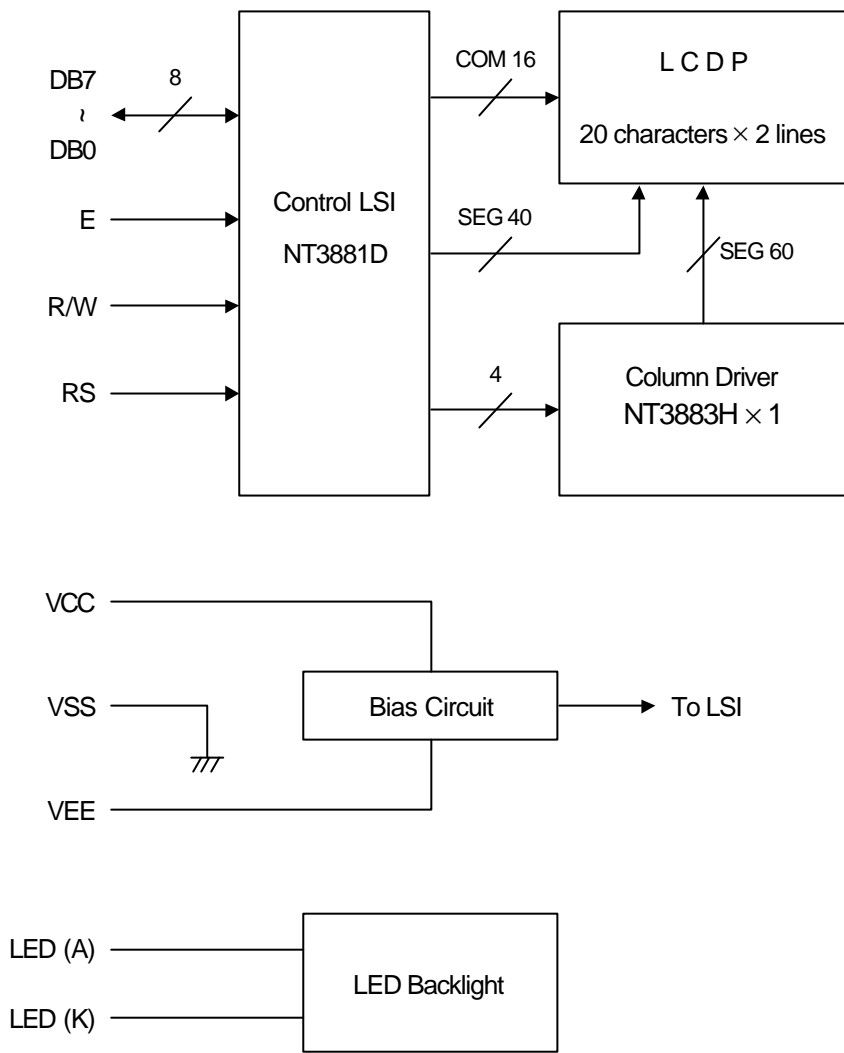
No.	Symbol	Function
1	LED (A)	LED Anode Terminal
2	LED (K)	LED Cathode Terminal

### 4.2.Example of Power Supply

It is recommended to apply a potentiometer for the contrast adjust due to the tolerance of the driving voltage and its temperature dependence.



### 4.3. Block Diagram



## 5. Test

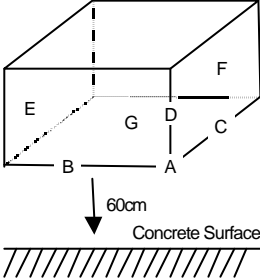
No change on display and in operation under the following test condition.

Conditions: Unless otherwise specified, tests will be conducted under the following condition.

Temperature:  $20 \pm 5^\circ\text{C}$

Humidity :  $65 \pm 5\% \text{RH}$

tests will be not conducted under functioning state.

No.	Parameter	Conditions	Notes
1	High Temperature Operating	$70^\circ\text{C} \pm 2^\circ\text{C}$ , 96hrs (operation state)	
2	Low Temperature Operating	$-20^\circ\text{C} \pm 2^\circ\text{C}$ , 96hrs (operation state)	1
3	High Temperature Storage	$70^\circ\text{C} \pm 2^\circ\text{C}$ , 96hrs	2
4	Low Temperature Storage	$-20^\circ\text{C} \pm 2^\circ\text{C}$ , 96hrs	1,2
5	Damp Proof Test	$40^\circ\text{C} \pm 2^\circ\text{C}$ , 90~95%RH, 96hrs	1,2
6	Vibration Test	Total fixed amplitude : 1.5mm Vibration Frequency : 10~55Hz One cycle 60 seconds to 3 directions of X, Y, Z for each 15 minutes	3
7	Shock Test	To be measured after dropping from 60cm high on the concrete surface in packing state. 	

Note 1 :No dew condensation to be observed.

Note 2 :The function test shall be conducted after 4 hours storage at the normal Temperature and humidity after removed from the test chamber.

Note 3 :Vibration test will be conducted to the product itself without putting it in a container.

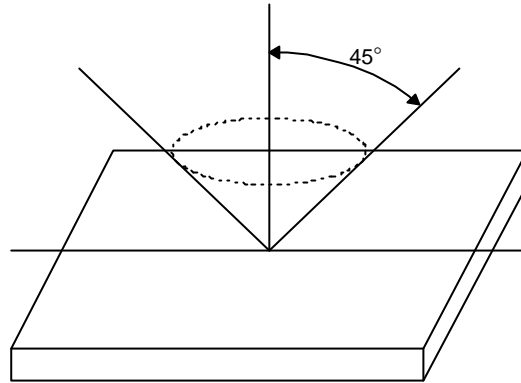
## 6.Appearance Standards

### 6.1.Inspection conditions

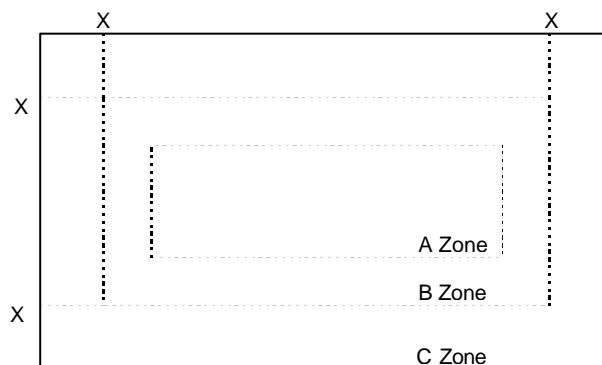
The LCD shall be inspected under 40W white fluorescent light.

The distance between the eyes and the sample shall be more than 30cm.

All directions for inspecting the sample should be within 45°against perpendicular line.



### 6.2.Definition of applicable Zones



X : Maximum Seal Line

A Zone : Active display area

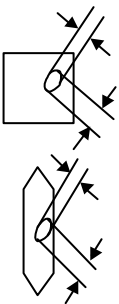
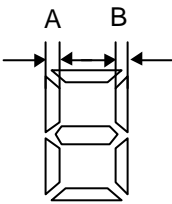
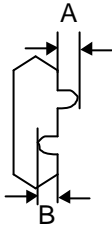
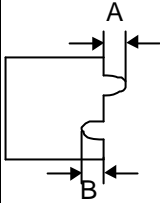
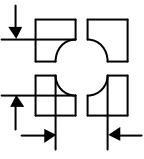
B Zone : Out of active display area ~ Maximum seal line

C Zone : Rest parts

A Zone + B Zone = Validity viewing area

6.3.Standards(E rank, LED)

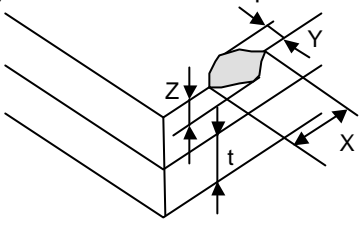
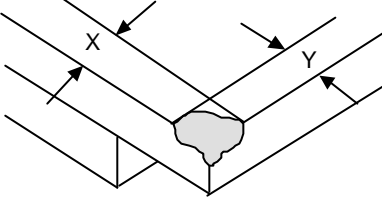
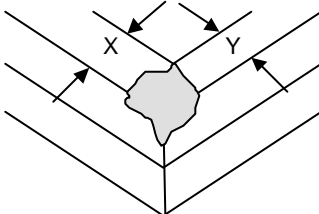
D = ( Long + Short ) / 2 \* : Disregard Units : mm

No.	Parameter	Criteria																										
1	The Shape of Dot	<p>(1) Pin Hole</p>  <table border="1" data-bbox="756 322 1385 515"> <thead> <tr> <th>Dimension</th> <th>Acceptable Number</th> </tr> </thead> <tbody> <tr> <td><math>D \leq 0.10</math></td> <td>*</td> </tr> <tr> <td><math>0.10 &lt; D \leq 0.15</math></td> <td>1 pc / dot(only segment)or less 2 pcs / cell or less</td> </tr> </tbody> </table> <p>(2) Pattern Shift</p>  <p><math> A - B  \leq 0.15</math></p> <p>(3) Breakage or Chips / Deformation</p> <p>1.Segment Type</p>  <table border="1" data-bbox="756 1039 1385 1184"> <thead> <tr> <th>Dimension</th> <th>Acceptable Number</th> </tr> </thead> <tbody> <tr> <td><math>A \leq 0.10</math></td> <td>*</td> </tr> <tr> <td><math>B \leq 0.10</math></td> <td>*</td> </tr> </tbody> </table> <p>2.Dot Type</p>  <table border="1" data-bbox="756 1279 1385 1615"> <thead> <tr> <th>Dimension</th> <th>Acceptable Number</th> </tr> </thead> <tbody> <tr> <td><math>A \leq 0.10</math></td> <td>* (Should not be connected to next dot)</td> </tr> <tr> <td><math>0.10 &lt; A \leq 0.15</math></td> <td>1 pc / dot(only segment)or less 2 pcs / cell or less (Should not be connected to next dot)</td> </tr> <tr> <td><math>B \leq 0.10</math></td> <td>*</td> </tr> </tbody> </table> <p>3.Defective type extends over multiple numbers of dots</p>  <table border="1" data-bbox="756 1711 1385 2000"> <thead> <tr> <th>Dimension</th> <th>Acceptable Number</th> </tr> </thead> <tbody> <tr> <td><math>D \leq 0.10</math></td> <td>*</td> </tr> <tr> <td><math>0.10 &lt; D \leq 0.15</math></td> <td>1 pc / dot(only segment)or less 2 pcs / cell or less (Individual dot must secure 1/2 area or more)</td> </tr> </tbody> </table>	Dimension	Acceptable Number	$D \leq 0.10$	*	$0.10 < D \leq 0.15$	1 pc / dot(only segment)or less 2 pcs / cell or less	Dimension	Acceptable Number	$A \leq 0.10$	*	$B \leq 0.10$	*	Dimension	Acceptable Number	$A \leq 0.10$	* (Should not be connected to next dot)	$0.10 < A \leq 0.15$	1 pc / dot(only segment)or less 2 pcs / cell or less (Should not be connected to next dot)	$B \leq 0.10$	*	Dimension	Acceptable Number	$D \leq 0.10$	*	$0.10 < D \leq 0.15$	1 pc / dot(only segment)or less 2 pcs / cell or less (Individual dot must secure 1/2 area or more)
Dimension	Acceptable Number																											
$D \leq 0.10$	*																											
$0.10 < D \leq 0.15$	1 pc / dot(only segment)or less 2 pcs / cell or less																											
Dimension	Acceptable Number																											
$A \leq 0.10$	*																											
$B \leq 0.10$	*																											
Dimension	Acceptable Number																											
$A \leq 0.10$	* (Should not be connected to next dot)																											
$0.10 < A \leq 0.15$	1 pc / dot(only segment)or less 2 pcs / cell or less (Should not be connected to next dot)																											
$B \leq 0.10$	*																											
Dimension	Acceptable Number																											
$D \leq 0.10$	*																											
$0.10 < D \leq 0.15$	1 pc / dot(only segment)or less 2 pcs / cell or less (Individual dot must secure 1/2 area or more)																											

$$D = ( \text{Long} + \text{Short} ) / 2 \quad * : \text{Disregard} \quad \text{Units : mm}$$

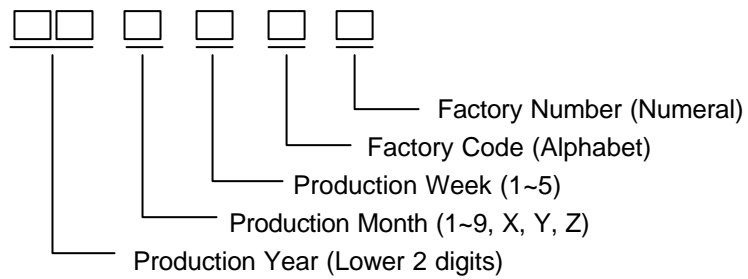
No.	Parameter	Criteria																																						
2	Black and White Spots, Foreign Substances	<p>(1) Round Shape</p> <table border="1"> <thead> <tr> <th rowspan="2">Dimension \ Zone</th> <th colspan="3">Acceptable Number</th> </tr> <tr> <th>A</th> <th>B</th> <th>C</th> </tr> </thead> <tbody> <tr> <td><math>D \leq 0.10</math></td> <td>*</td> <td>*</td> <td>*</td> </tr> <tr> <td><math>0.10 &lt; D \leq 0.20</math></td> <td>6</td> <td>6</td> <td>*</td> </tr> <tr> <td><math>0.20 &lt; D \leq 0.30</math></td> <td>2</td> <td>2</td> <td>*</td> </tr> </tbody> </table> <p>Individual dot must secure 1/2 area or more.</p> <p>(2) Line Shape</p> <table border="1"> <thead> <tr> <th rowspan="2">Length \ Width \ Zone</th> <th colspan="3">Acceptable Number</th> </tr> <tr> <th>A</th> <th>B</th> <th>C</th> </tr> </thead> <tbody> <tr> <td><math>L \leq 2.0</math> \ <math>W \leq 0.03</math></td> <td>*</td> <td>*</td> <td>*</td> </tr> <tr> <td><math>L \leq 2.0</math> \ <math>0.03 &lt; W \leq 0.05</math></td> <td>4</td> <td>4</td> <td>*</td> </tr> <tr> <td>* \ <math>0.05 &lt; W</math></td> <td colspan="2">In the same way (1)</td> <td>*</td> </tr> </tbody> </table> <p>No more than 7pcs as total. (Refer to "Complex Foreign Substance Defects")</p>	Dimension \ Zone	Acceptable Number			A	B	C	$D \leq 0.10$	*	*	*	$0.10 < D \leq 0.20$	6	6	*	$0.20 < D \leq 0.30$	2	2	*	Length \ Width \ Zone	Acceptable Number			A	B	C	$L \leq 2.0$ \ $W \leq 0.03$	*	*	*	$L \leq 2.0$ \ $0.03 < W \leq 0.05$	4	4	*	* \ $0.05 < W$	In the same way (1)		*
Dimension \ Zone	Acceptable Number																																							
	A	B	C																																					
$D \leq 0.10$	*	*	*																																					
$0.10 < D \leq 0.20$	6	6	*																																					
$0.20 < D \leq 0.30$	2	2	*																																					
Length \ Width \ Zone	Acceptable Number																																							
	A	B	C																																					
$L \leq 2.0$ \ $W \leq 0.03$	*	*	*																																					
$L \leq 2.0$ \ $0.03 < W \leq 0.05$	4	4	*																																					
* \ $0.05 < W$	In the same way (1)		*																																					
3	Color Variation	Not to be conspicuous defects.																																						
4	Air Bubbles (between glass & polarizer)	<table border="1"> <thead> <tr> <th rowspan="2">Dimension \ Zone</th> <th colspan="3">Acceptable Number</th> </tr> <tr> <th>A</th> <th>B</th> <th>C</th> </tr> </thead> <tbody> <tr> <td><math>D \leq 0.15</math></td> <td>*</td> <td>*</td> <td>*</td> </tr> <tr> <td><math>0.15 &lt; D \leq 0.30</math></td> <td>2</td> <td>3</td> <td>*</td> </tr> <tr> <td><math>0.30 &lt; D \leq 0.50</math></td> <td>1</td> <td>2</td> <td>*</td> </tr> <tr> <td><math>0.50 &lt; D \leq 1.00</math></td> <td>0</td> <td>1</td> <td>*</td> </tr> </tbody> </table> <p>No more than 3pcs as total. (Refer to "Complex Foreign Substance Defects")</p>	Dimension \ Zone	Acceptable Number			A	B	C	$D \leq 0.15$	*	*	*	$0.15 < D \leq 0.30$	2	3	*	$0.30 < D \leq 0.50$	1	2	*	$0.50 < D \leq 1.00$	0	1	*															
Dimension \ Zone	Acceptable Number																																							
	A	B	C																																					
$D \leq 0.15$	*	*	*																																					
$0.15 < D \leq 0.30$	2	3	*																																					
$0.30 < D \leq 0.50$	1	2	*																																					
$0.50 < D \leq 1.00$	0	1	*																																					
5	Polarizer Scratches	Not to be conspicuous defects.																																						
6	Polarizer Dirts	If the stains are removed easily from LCDP surface, the module is not defective.																																						
7	Complex Foreign Substance Defects	Black spots, line shaped foreign substances or air bubbles between glass & polarizer should be 7pcs maximum in total.																																						
8	Distance between Different Foreign Substance Defects	20mm or more																																						

$$D = ( \text{Long} + \text{Short} ) / 2 \quad * : \text{Disregard} \quad \text{Units : mm}$$

No.	Parameter	Criteria																																																
9	Chipped Glass	<p>(1) Other than electrode pad areas and corner areas</p>  <table border="1" data-bbox="582 526 1380 817"> <thead> <tr> <th colspan="3">"A" size: 0.82 or more</th> <th colspan="3">"A" size: Less than 0.82</th> </tr> <tr> <th>X</th> <th>Y</th> <th>Z</th> <th>X</th> <th>Y</th> <th>Z</th> </tr> </thead> <tbody> <tr> <td>*</td> <td><math>\leq 0.4</math></td> <td>*</td> <td>*</td> <td><math>\leq 0.3</math></td> <td>*</td> </tr> <tr> <td><math>\leq 2.5</math></td> <td><math>\leq 0.7</math></td> <td><math>= t</math></td> <td><math>\leq 2.0</math></td> <td><math>\leq 0.5</math></td> <td><math>= t</math></td> </tr> <tr> <td><math>\leq 3.5</math></td> <td><math>\leq 1.0</math></td> <td><math>\leq 1/2t</math></td> <td><math>\leq 3.0</math></td> <td><math>\leq 0.5</math></td> <td><math>\leq 1/2t</math></td> </tr> <tr> <td><math>\leq 5.5</math></td> <td><math>\leq 1.5</math></td> <td><math>\leq 1/3t</math></td> <td><math>\leq 4.5</math></td> <td><math>\leq 1.2</math></td> <td><math>\leq 1/3t</math></td> </tr> </tbody> </table> <p>(2) Corner Areas</p> <p>1. Lead Areas</p>  <table border="1" data-bbox="997 952 1380 1153"> <thead> <tr> <th>"A" size 0.82 or more</th> <th>"A" size Less than 0.82</th> </tr> </thead> <tbody> <tr> <td>X+Y</td> <td>X+Y</td> </tr> <tr> <td><math>\leq 4.0</math></td> <td><math>\leq 3.0</math></td> </tr> </tbody> </table> <p>2. Other than electrode pad Areas</p>  <table border="1" data-bbox="997 1288 1380 1489"> <thead> <tr> <th>"A" size 0.82 or more</th> <th>"A" size Less than 0.82</th> </tr> </thead> <tbody> <tr> <td>X+Y</td> <td>X+Y</td> </tr> <tr> <td><math>\leq 3.0</math></td> <td><math>\leq 2.0</math></td> </tr> </tbody> </table> <p>The total number of chipped glass defects shall be up to 5 spots.  The chipped glass shall be judged only from the size of the defect.  If the chipped area touches the seal line, the LCD is not acceptable.</p>	"A" size: 0.82 or more			"A" size: Less than 0.82			X	Y	Z	X	Y	Z	*	$\leq 0.4$	*	*	$\leq 0.3$	*	$\leq 2.5$	$\leq 0.7$	$= t$	$\leq 2.0$	$\leq 0.5$	$= t$	$\leq 3.5$	$\leq 1.0$	$\leq 1/2t$	$\leq 3.0$	$\leq 0.5$	$\leq 1/2t$	$\leq 5.5$	$\leq 1.5$	$\leq 1/3t$	$\leq 4.5$	$\leq 1.2$	$\leq 1/3t$	"A" size 0.82 or more	"A" size Less than 0.82	X+Y	X+Y	$\leq 4.0$	$\leq 3.0$	"A" size 0.82 or more	"A" size Less than 0.82	X+Y	X+Y	$\leq 3.0$	$\leq 2.0$
"A" size: 0.82 or more			"A" size: Less than 0.82																																															
X	Y	Z	X	Y	Z																																													
*	$\leq 0.4$	*	*	$\leq 0.3$	*																																													
$\leq 2.5$	$\leq 0.7$	$= t$	$\leq 2.0$	$\leq 0.5$	$= t$																																													
$\leq 3.5$	$\leq 1.0$	$\leq 1/2t$	$\leq 3.0$	$\leq 0.5$	$\leq 1/2t$																																													
$\leq 5.5$	$\leq 1.5$	$\leq 1/3t$	$\leq 4.5$	$\leq 1.2$	$\leq 1/3t$																																													
"A" size 0.82 or more	"A" size Less than 0.82																																																	
X+Y	X+Y																																																	
$\leq 4.0$	$\leq 3.0$																																																	
"A" size 0.82 or more	"A" size Less than 0.82																																																	
X+Y	X+Y																																																	
$\leq 3.0$	$\leq 2.0$																																																	

## 7.Code System of Production Lot

The production lot of module is specified as follows.



## 8.Type Number

The type number of module is specified as follows.

C-51505NFQJ-LW-AD

## 9.Applying Precautions

Please contact us when questions and/or new problems not specified in this specifications arise.



## 10. Precautions Relating Product Handling

The Following precautions will guide you in handling our product correctly.

- 1) Liquid crystal display devices
  1. The liquid crystal display device panel used in the liquid crystal display module is made of plate glass. Avoid any strong mechanical shock. Should the glass break handle it with care.
  2. The polarizer adhering to the surface of the LCD is made of a soft material. Guard against scratching it.
- 2) Care of the liquid crystal display module against static electricity discharge.
  1. When working with the module, be sure to ground your body and any electrical equipment you may be using. We strongly recommend the use of anti static mats ( made of rubber ), to protect work tables against the hazards of electrical shock.
  2. Avoid the use of work clothing made of synthetic fibers. We recommend cotton clothing or other conductivity-treated fibers.
  3. Slowly and carefully remove the protective film from the LCD module, since this operation can generate static electricity.
- 3) When the LCD module alone must be stored for long periods of time:
  1. Protect the modules from high temperature and humidity.
  2. Keep the modules out of direct sunlight or direct exposure to ultraviolet rays.
  3. Protect the modules from excessive external forces.
- 4) Use the module with a power supply that is equipped with an overcurrent protector circuit, since the module is not provided with this protective feature.
- 5) Do not ingest the LCD fluid itself should it leak out of a damaged LCD module. Should hands or clothing come in contact with LCD fluid, wash immediately with soap.
- 6) Conductivity is not guaranteed for models that use metal holders where solder connections between the metal holder and the PCB are not used. Please contact us to discuss appropriate ways to assure conductivity.
- 7) For models which use CFL:
  1. High voltage of 1000V or greater is applied to the CFL cable connector area. Care should be taken not to touch connection areas to avoid burns.
  2. Protect CFL cables from rubbing against the unit and thus causing the wire jacket to become worn.
  3. The use of CFLs for extended periods of time at low temperatures will significantly shorten their service life.
- 8) For models which use touch panels:
  1. Do not stack up modules since they can be damaged by components on neighboring modules.
  2. Do not place heavy objects on top of the product. This could cause glass breakage.
- 9) For models which use COG, TAB, or COF:
  1. The mechanical strength of the product is low since the IC chip faces out unprotected from the rear. Be sure to protect the rear of the IC chip from external forces.
  2. Given the fact that the rear of the IC chip is left exposed, in order to protect the unit from electrical damage, avoid installation configurations in which the rear of the IC chip runs the risk of making any electrical contact.

10) Models which use flexible cable, heat seal, or TAB:

1. In order to maintain reliability, do not touch or hold by the connector area.
2. Avoid any bending, pulling, or other excessive force, which can result in broken connections.

11) In case of buffer material such as cushion / gasket is assembled into LCD module, it may have an adverse effect on connecting parts ( LCD panel-TCP / HEAT SEAL / FPC / etc., PCB-TCP / HEAT SEAL / FPC etc., TCP-HEAT SEAL, TCP-FPC, HEAT SEAL-FPC, etc.,) depending on its materials.

Please check and evaluate these materials carefully before use.

12) In case of acrylic plate is attached to front side of LCD panel, cloudiness ( very small cracks ) can occur on acrylic plate, being influenced by some components generated from polarizer film.. Please check and evaluate those acrylic materials carefully before use.

## 11. Warranty

This product has been manufactured to your company's specifications as a part for use in your company's general electronic products. It is guaranteed to perform according to delivery specifications. For any other use apart from general electronic equipment, we cannot take responsibility if the product is used in medical devices, nuclear power control equipment, aerospace equipment, fire and security systems, or any other applications in which there is a direct risk to human life and where extremely high levels of reliability are required. If the product is to be used in any of the above applications, we will need to enter into a separate product liability agreement.

1. We cannot accept responsibility for any defect, which may arise from additional manufacturing of the product (including disassembly and reassembly), after product delivery.
2. We cannot accept responsibility for any defect, which may arise after the application of strong external force to the product.
3. We cannot accept responsibility for any defect, which may arise due to the application of static electricity after the product has passed your company's acceptance inspection procedures.
4. When the product is in CFL models, CFL service life and brightness will vary according to the performance of the inverter used, leaks, etc. We cannot accept responsibility for product performance, reliability, or defect, which may arise.
5. We cannot accept responsibility for intellectual property of a third party, which may arise through the application of our product to your assembly with exception to those issues relating directly to the structure or method of manufacturing of our product.
6. Optrex will not be held responsible for any quality guarantee issue for defect products judged as Optrex-origin longer than 2 (two) years from Optrex production or 1(one) year from Optrex, Optrex America, Optrex Europe delivery which ever comes later.