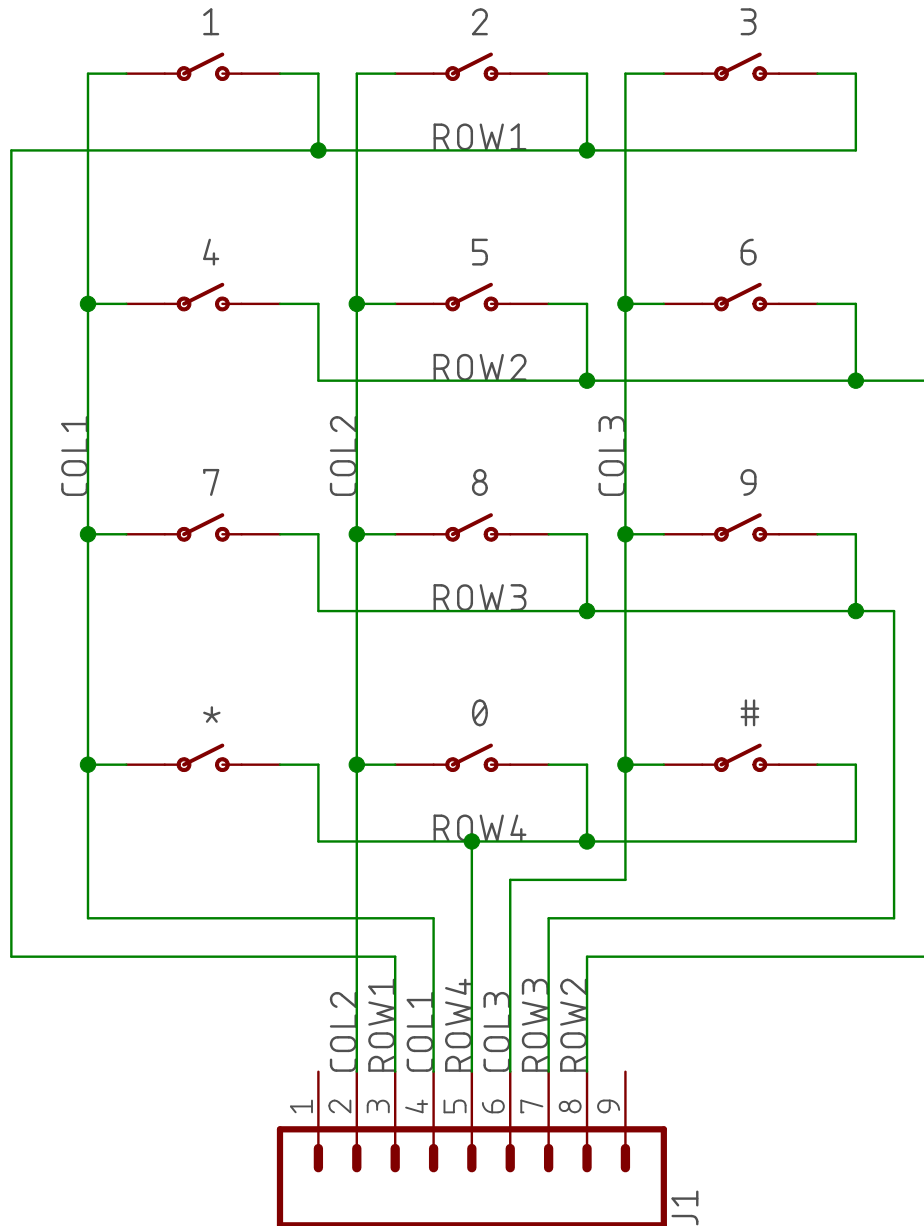


SPARKFUN ELECTRONICS  
12-BUTTON KEYPAD COM-14662



CONNECTOR PINOUT SHOWN FROM  
TOP (KEYCAP) SIDE OF BOARD

KEYPRESS RESISTANCE WILL RANGE  
BETWEEN 10 AND 150 OHMS