




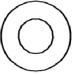
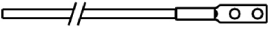
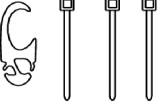


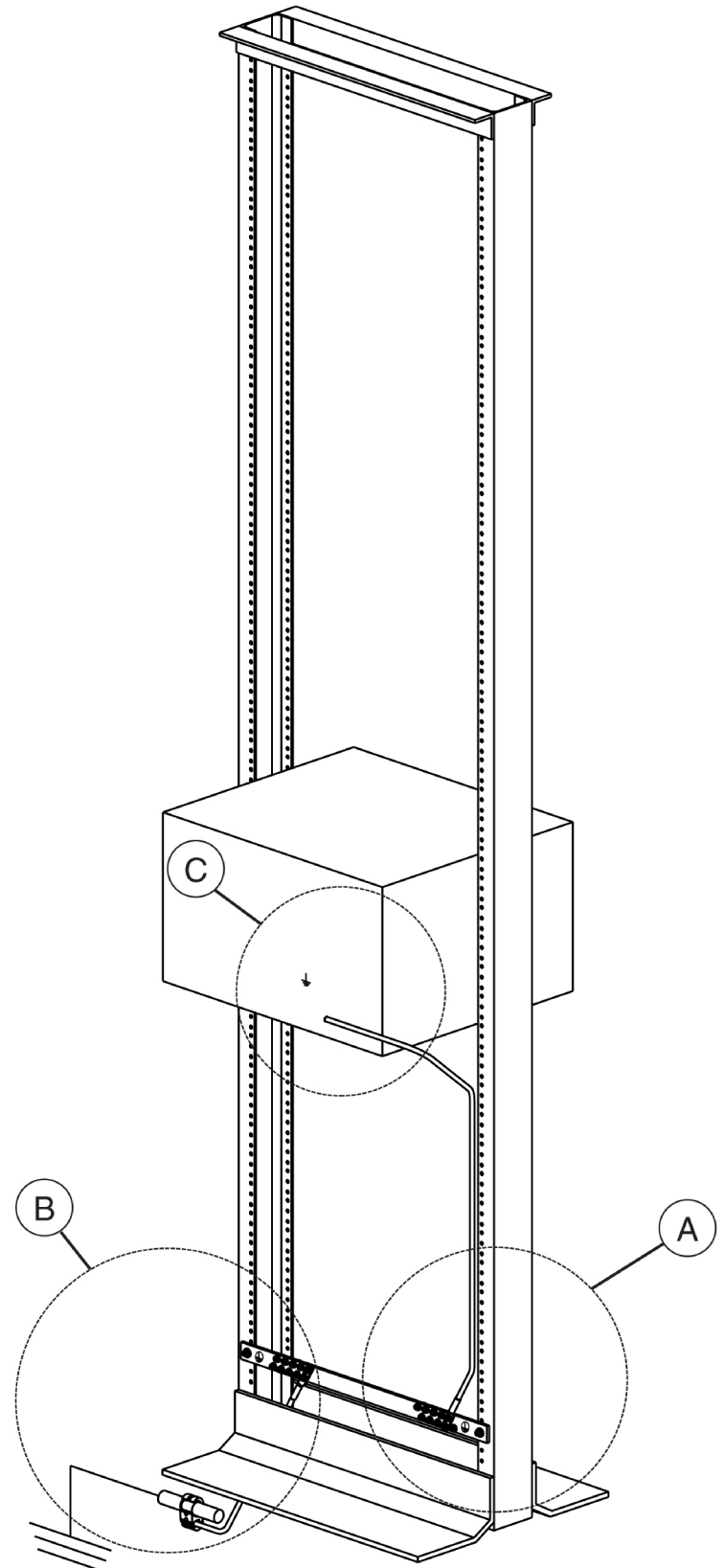
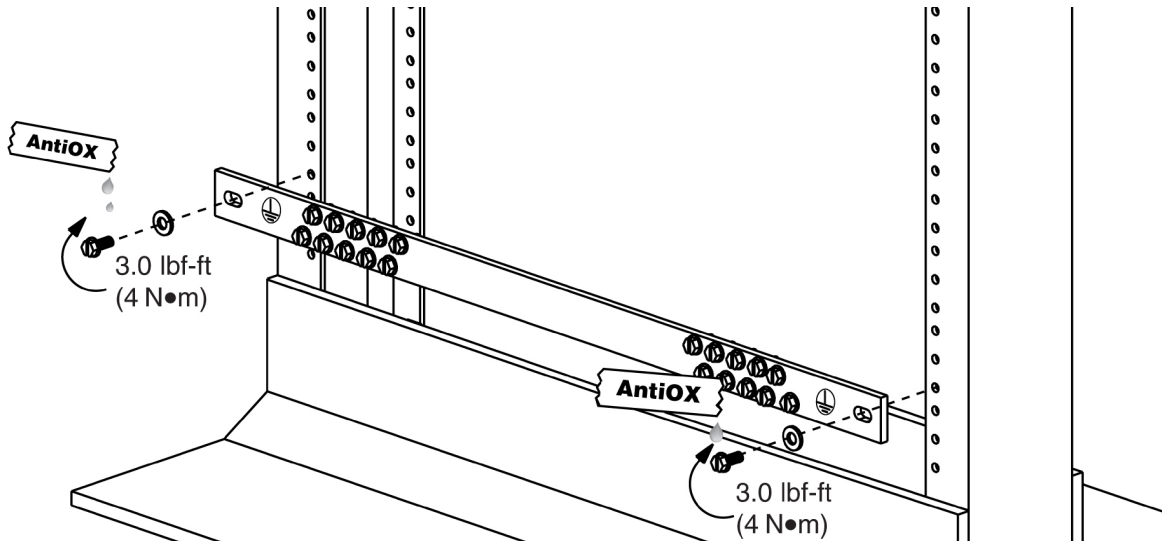


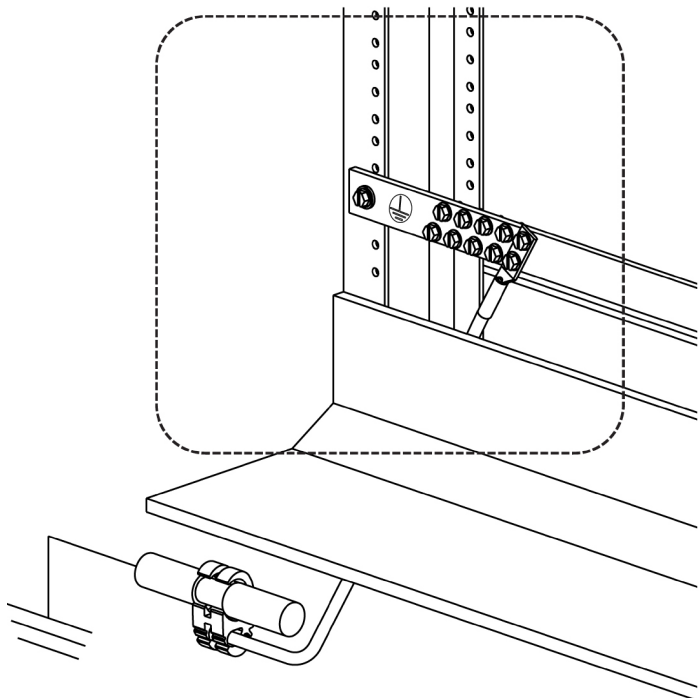
	RGRE-J096Y	RGRE-J1098Y	RGFK-CBNJY	RGFK-CBNJEJY
 19" Universal Ground Bar	-	-	1	1
 M6 Screw	2	2	2	2
 12-24 Screw	2	2	2	2
 M5 Screw	2	2	2	2
 10-32 Screw	2	2	2	2
 12 Washer	-	-	2	2
 Jumper	1	1	1	2
 HTAP	-	-	1	1
 AntiOX	1	1	1	2
 Cleaning Pad	1	1	1	1



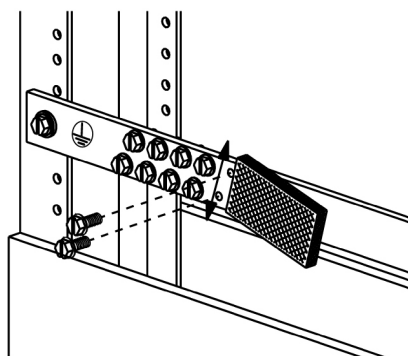
A



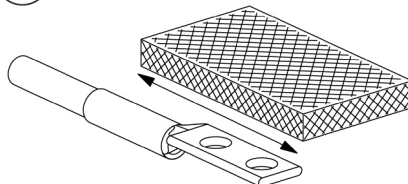
B1



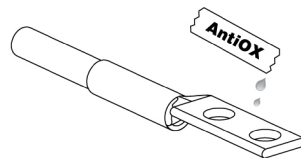
1



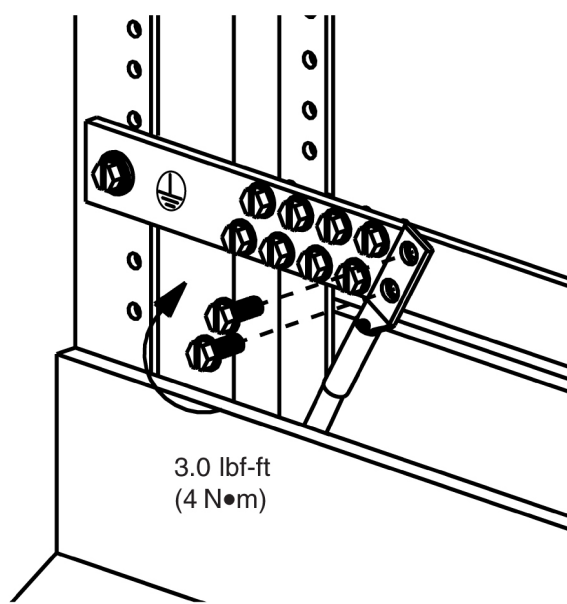
2



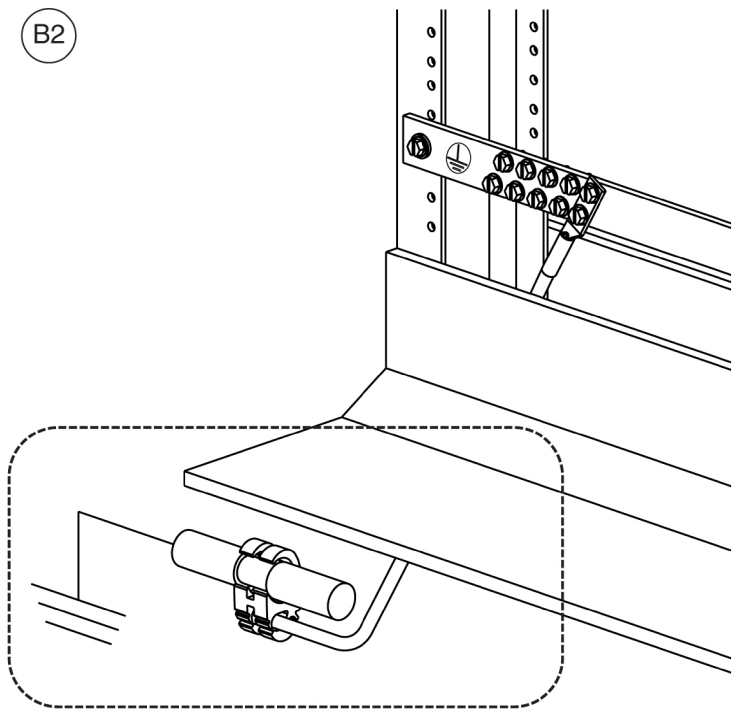
3



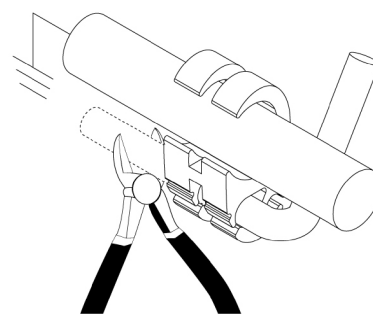
4



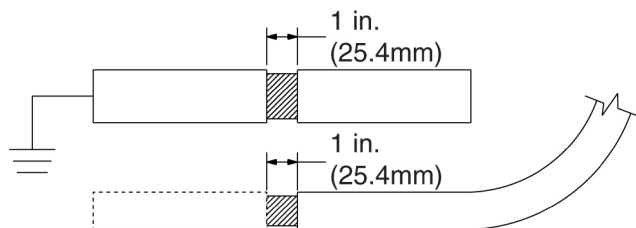
B2



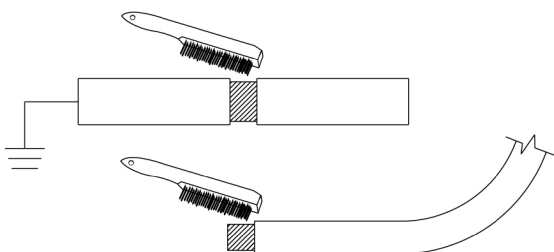
1



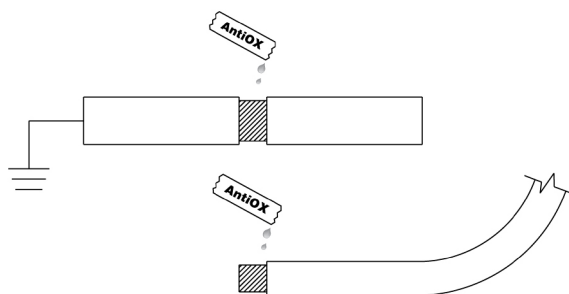
2



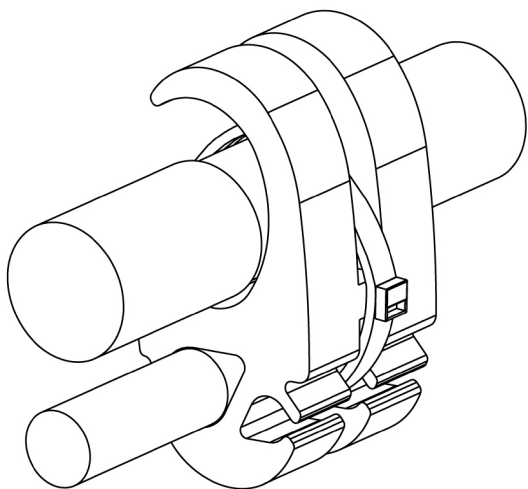
3



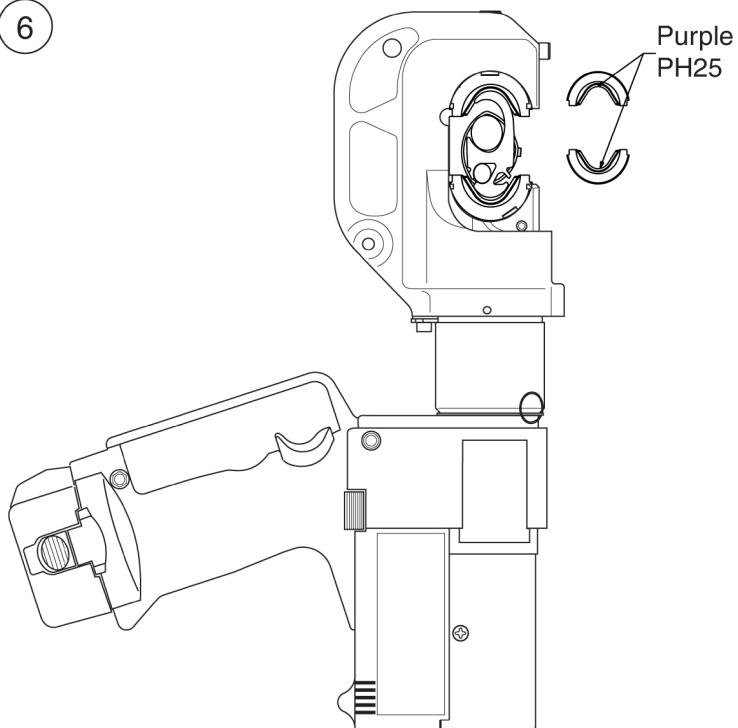
4



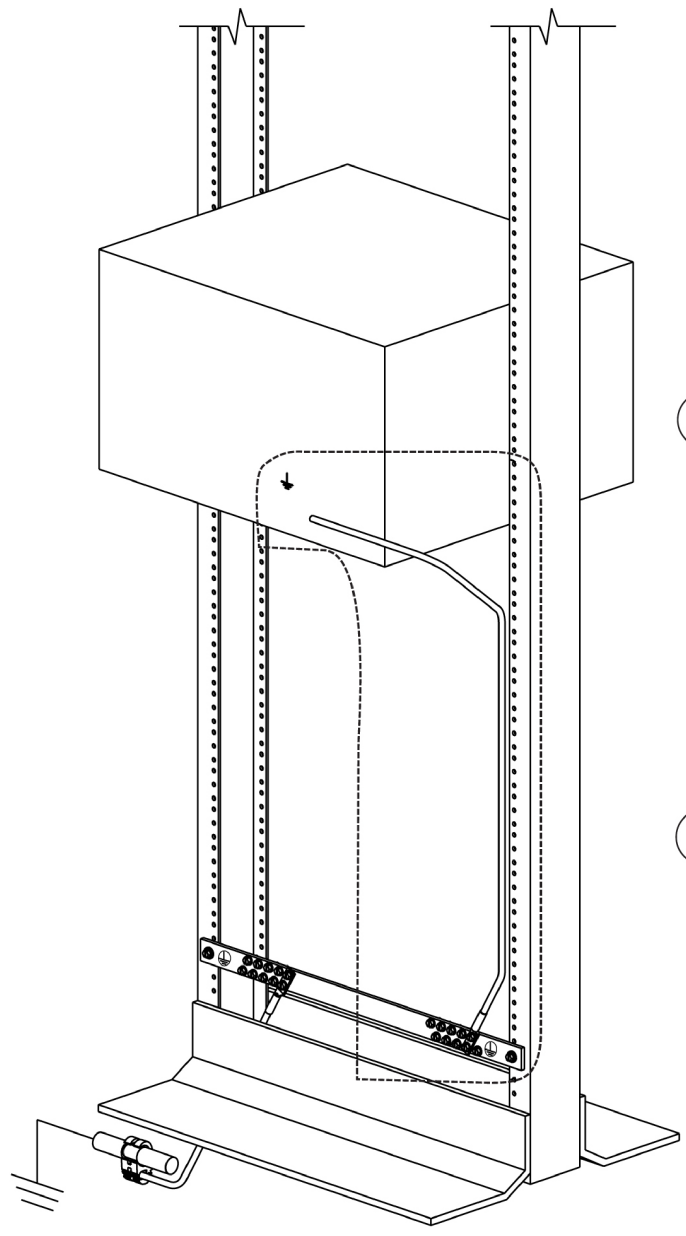
5



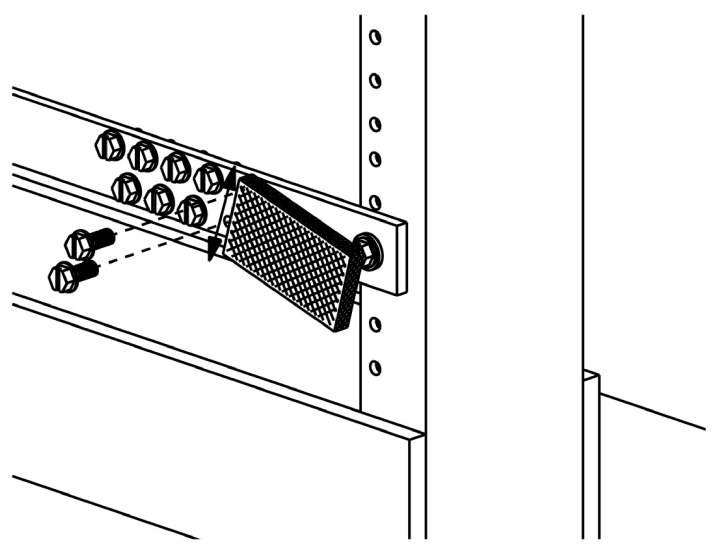
6



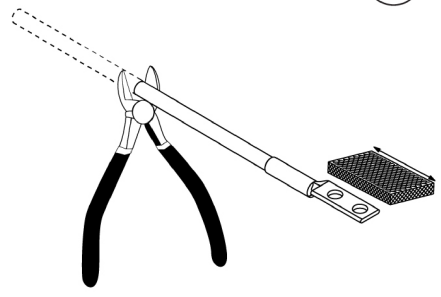
C



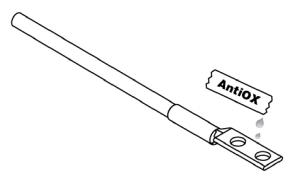
1



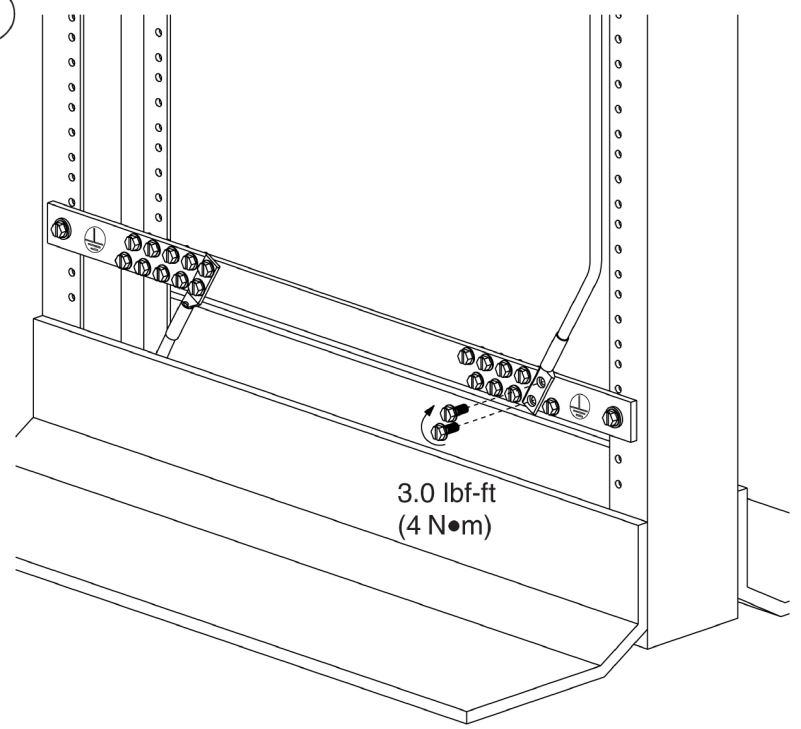
2



3



4



3.0 lbf-ft  
(4 N•m)

For Instructions in Local Languages  
and Technical Support:

[www.panduit.com/resources/install\\_maintain.asp](http://www.panduit.com/resources/install_maintain.asp)

**PANDUIT**

[www.panduit.com](http://www.panduit.com)

E-mail:  
[cs@panduit.com](mailto:cs@panduit.com)

Fax:  
708-444-6993