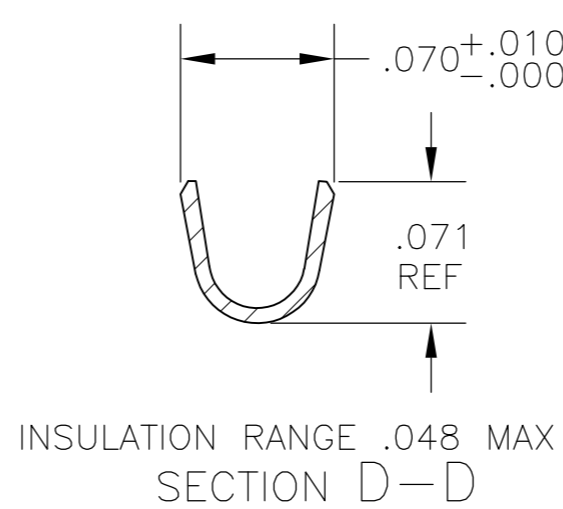
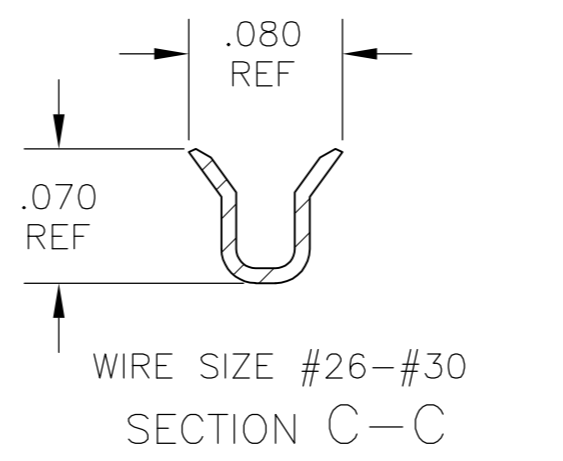
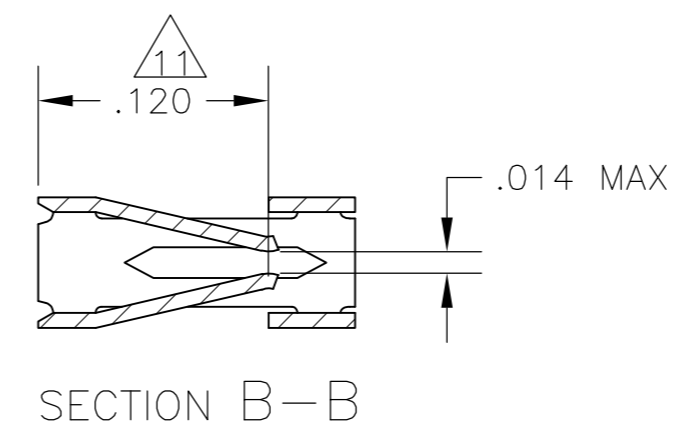
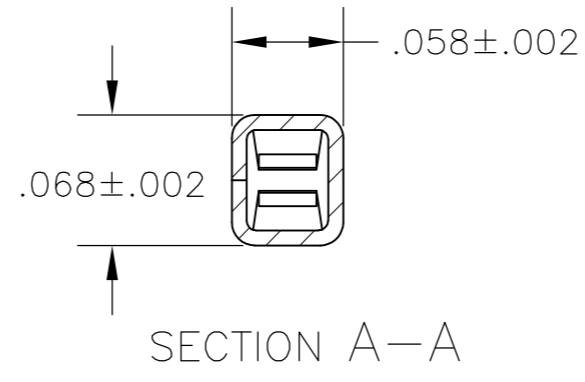
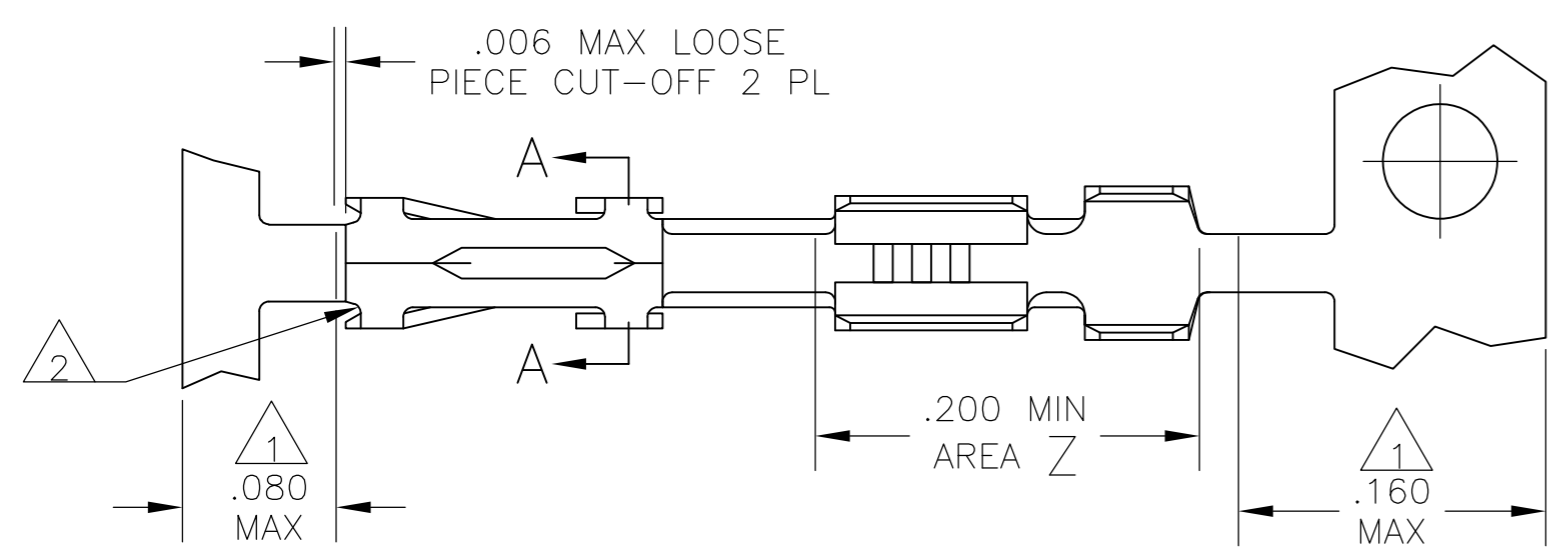
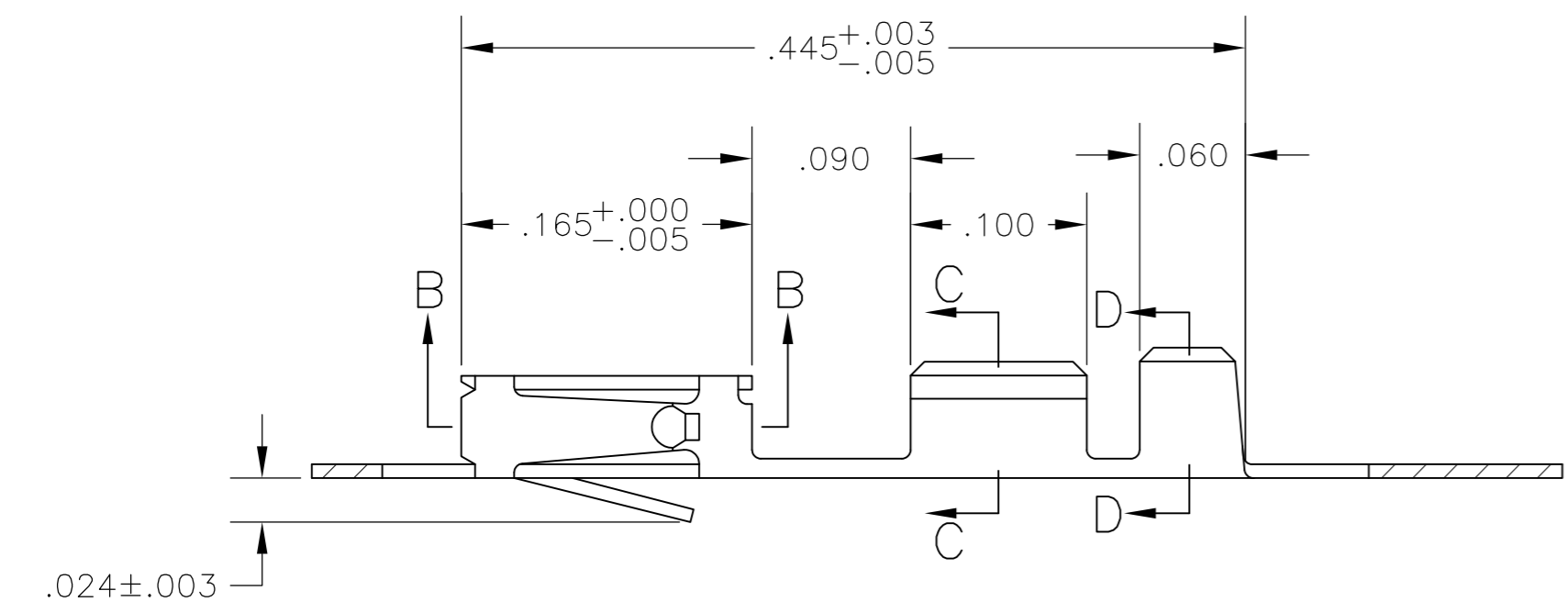


THIS DRAWING IS UNPUBLISHED. RELEASED FOR PUBLICATION
 © COPYRIGHT BY TYCO ELECTRONICS CORPORATION. ALL RIGHTS RESERVED.

| LOC | DIST | REVISIONS | | | |
|-----|------|---------------------------|---------|-----|------|
| P | LTR | DESCRIPTION | DATE | DWN | APVD |
| | V | ECO-05-007262 | 10JAN06 | BSV | MM |
| | V1 | REVISED PER ECO-09-020774 | 21AUG09 | KK | AEG |



17 OBSOLETE PARTS: OBSOLETE CIS STREAMLINING PER D.RENAUD/D.SINISI



- 1 GOLD PLATING IS NOT REQUIRED IN THIS AREA.
- 2 CUT-OUTS ON THE BOX ARE AT MANUFACTURERS OPTION.
- 3 THIS TERMINAL IS REELED FOR THE STANDARD APPLICATOR.
- 4 THIS TERMINAL IS REELED FOR THE MINI APPLICATOR.
- 5 .000030 GOLD ON THE CONTACT AREA, GOLD FLASH ON THE REMAINDER ALL OVER .000050 NICKEL.
- 6 .000015 GOLD ON THE CONTACT AREA, GOLD FLASH ON THE REMAINDER ALL OVER .000050 NICKEL.
- 7 .000100-.000200 BRIGHT TIN-LEAD OVER .000050 NICKEL.
- 8 SHEARED EDGES ARE PERMITTED TO BE UNPLATED.
- 9 .000015 GOLD ON THE CONTACT AREA, .000050 NICKEL ON THE REMAINDER.
- 10 .000050 GOLD ON THE CONTACT AREA, GOLD FLASH ON THE REMAINDER ALL OVER .000050 NICKEL.
- 11 POINT OF MEASUREMENT FOR PLATING THICKNESS (INSIDE BEAMS).
- 12 .000015 GOLD ON THE CONTACT AREA, .000100-.000200 BRIGHT TIN-LEAD ON AREA Z, ALL OVER .000050 NICKEL.
- 13 .000030 GOLD ON THE CONTACT AREA, .000100-.000200 BRIGHT TIN-LEAD ON AREA Z, ALL OVER .000050 NICKEL.
- 14 OBSOLETE PART NUMBERS.
- 15 SUPERSEDED BY 2-87522-2.
- 16 .000030 GOLD ON THE CONTACT AREA, .000100-.000200 MATTE TIN ON AREA Z, ALL OVER .000050 NICKEL.

| REMARKS | FINISH | LOOSE PIECE PART NUMBER | PART NUMBER |
|---------|---------|-------------------------|--------------|
| 4 | 8 16 | 7-87522-3 | 7-87522-2 |
| 4 | 8 13 | 2-87522-3 | 2-87522-2 |
| 4 | 8 12 14 | 2-87522-0 | 15 1-87522-9 |
| 4 | 10 | 1-87522-7 | 14 1-87522-6 |
| 3 | 10 17 | 1-87522-7 | 14 1-87522-5 |
| 4 | 8 9 14 | 1-87522-4 | 14 1-87522-3 |
| 3 | 7 | 87522-6 | 1-87522-0 |
| 3 | 6 | 87522-7 | 87522-9 |
| 3 | 5 | 87522-3 | 14 87522-8 |
| 4 | 7 14 | 87522-6 | 14 87522-5 |
| 4 | 6 14 | 87522-7 | 14 87522-4 |
| 4 | 5 14 | 87522-3 | 14 87522-2 |

THIS DRAWING IS A CONTROLLED DOCUMENT.

DWN L.D.RINGLEY 1-6-86
 CHK J.L.GESFORD 1-6-86
 APVD J.L.GESFORD 1-6-86

Tyco Electronics Corporation
 Harrisburg, Pa 17105-3608

CONTACT, MOD IV, RECEPTACLE, CRIMP SNAP-IN

PRODUCT SPEC 108-25,020
 APPLICATION SPEC 114-25,003

MATERIAL CU-SN-P, ALLOY #521, .008 THICK
 FINISH SEE TABLE

WEIGHT -
 CUSTOMER DRAWING

SIZE A2 CAGE CODE 00779 C=87522
 DRAWING NO 114-25,003

RESTRICTED TO -
 SCALE 10:1 SHEET 1 OF 1 REV V1