

NOTES:

1.0 ELECTRICAL SPECIFICATIONS:

1.1 FREQUENCY RANGE: DC TO 8.0 GHz

1.2 MAXIMUM INPUT POWER: 0.5 WATTS @ +25°C  
DERATED LINEARLY TO 0 WATTS @ +125°C

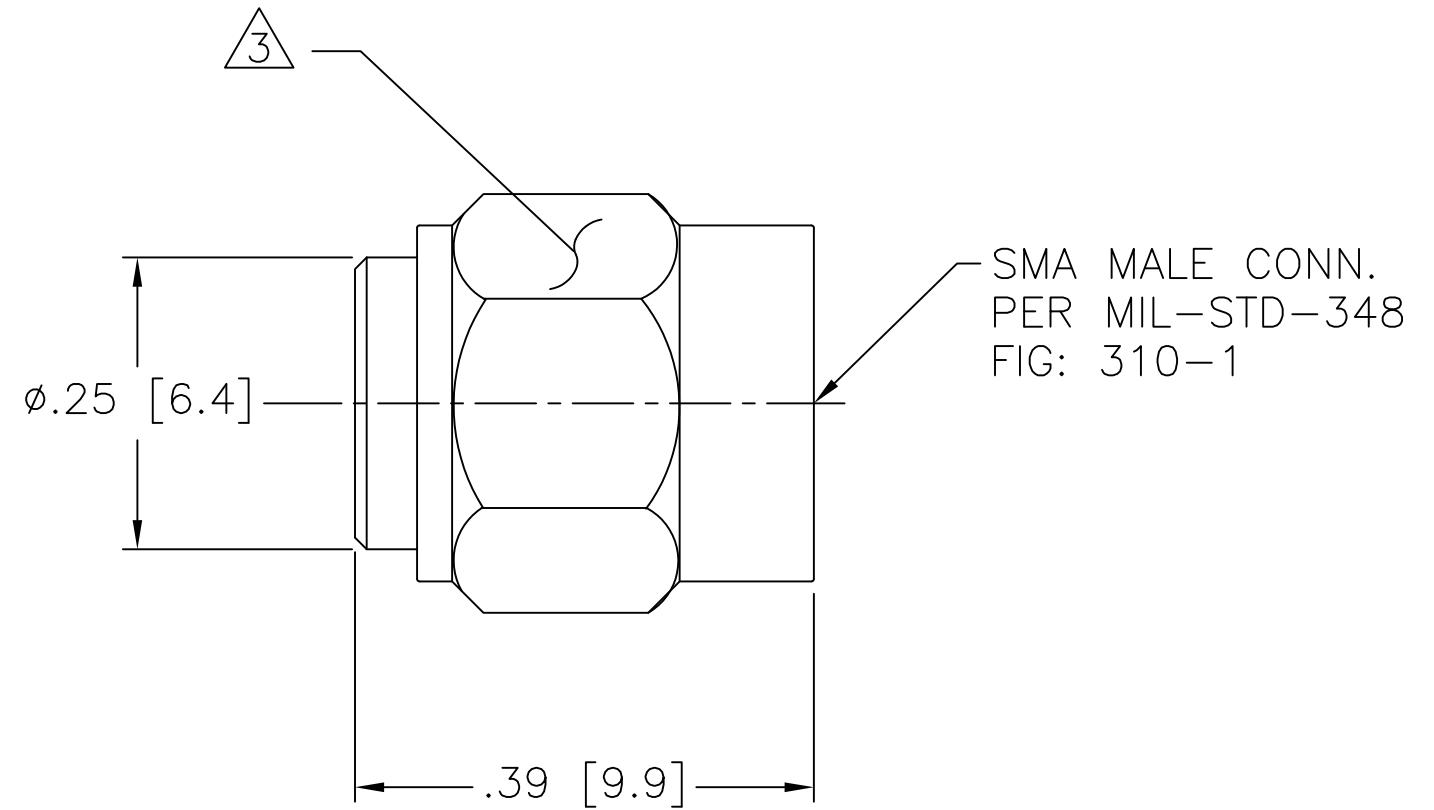
1.3 OPERATING TEMP. RANGE: -55°C TO +125°C

1.4 IMPEDANCE: 50 OHMS

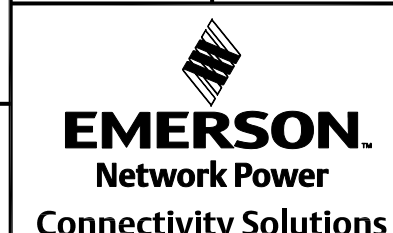
1.5 VSWR: 1.05 + 0.008F(GHz) MAX.

2.0 DIMENSIONS IN BRACKETS ARE IN MILLIMETERS.

 MARK ON HEX



REV.	DESCRIPTION	DATE
-	RELEASED	3/8/93
A	ECN 15059	2/1/96
A1	ADDED TITLEBLOCK	11/16/05
A2	ECO 23579	6/1/11

NOTICE: The information contained in this drawing is proprietary and must not be used without the permission of Emerson Network Power.  UNLESS OTHERWISE NOTED DIMENSIONS ARE IN INCHES AND TOLERANCES ARE: 3 PLACE DECIMALS ±.005 2 PLACE DECIMALS ±.02 FRACTIONS ±1/64 PARALLELITY: T.I.R. _____ FLATNESS: T.I.R. _____ CONCENTRICITY: T.I.R. _____ ANGLES AND PERPENDICULARITY: ±1°	CAGE CODE <b>34078</b>	<b>MIDWEST MICROWAVE</b>	
	 <b>EMERSON</b> Network Power Connectivity Solutions	TITLE TERMINATION OUTLINE DRAWING	
DRAWN/DATE A.BEATTY 3/4/93	ENG./DATE G.KOZAK 3/5/93	REV. A2	SCALE: 5=1
CHECKED/DATE M.HOLLMAN 3/4/93	APPROVED/DATE	SHEET 1 of 1	