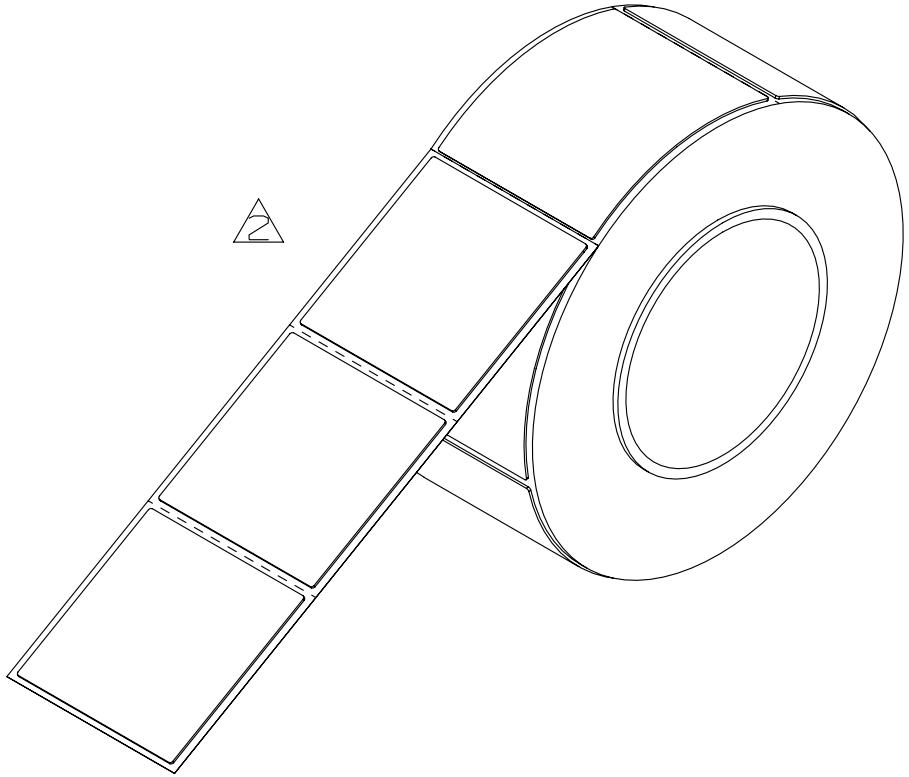
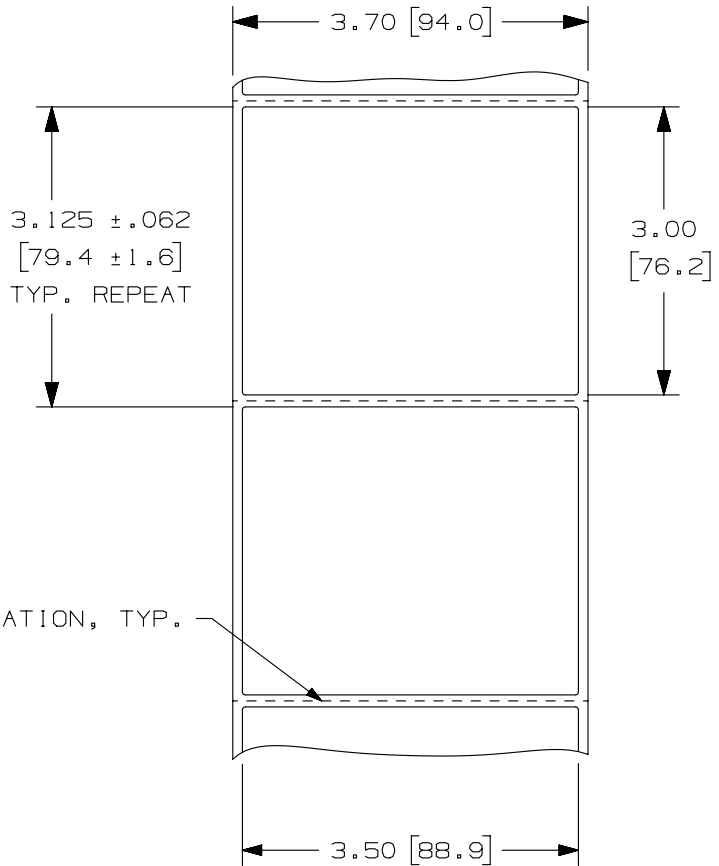


THIS COPY IS PROVIDED ON A RESTRICTED BASIS AND IS NOT TO BE USED IN ANY WAY DETRIMENTAL TO THE INTERESTS OF PANDUIT CORP.

NOTES:
1. DIMENSIONS IN [] ARE IN MILLIMETERS.

PANDUIT PART NO.	MATERIAL	FACE COLOR	PKG. QTY.	THICKNESS	PRODUCT TYPE
C350X300A0T	GMH3	BLACK	500	.030 +/- .010	COMPONENT LABEL
C350X300A8T		YELLOW			
C350X300APT	GMH3-W	WHITE			
C350X300AUT	GMH3	ORANGE			



REV	DATE	BY	CHK	APR	DESCRIPTION	ECN
2	1/21/13	RVU	DAPE	SEWH	ADD material column and ISO view. Update part numbers sequence list.	GAECN00542
1	5/6/11	RVU	DAPE		ADD NEW PN: C300X100AUT.	6348
0	5/4/10	RVU	DAPE		DRAWING RELEASE.	6037

TITLE RAISED PANEL COMPONENTS LABELS C350X300A*T CUSTOMER DRAWING	
ITEM REVISION NAME 100491C0/03	PANDUIT TM
DATASET FILE NAME 100491C0-DC-C10833/03C	
UNLESS OTHERWISE SPECIFIED, DIMENSIONAL TOLERANCES ARE: IN [mm] .x ± .12 [3.05] .xxx ± .025 [.635] .xx ± .062 [1.57] ANGLES ±	
DRAWING NUMBER: C10833	
DRAWN BY RVU	DATE 5/4/10
CHK MSAD	SCALE NTS
SHT 1 OF 1	
SIZE A	

D101000DA/12