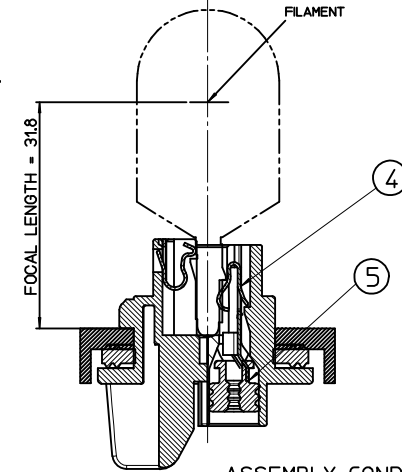


ISO VIEW



ASSEMBLY CONDITION

<NOTE>

1. APPLICABLE LAMP : WY21W(T20)
2. PANEL THICKNESS : 3.0mm ±0.1
3. MATES WITH

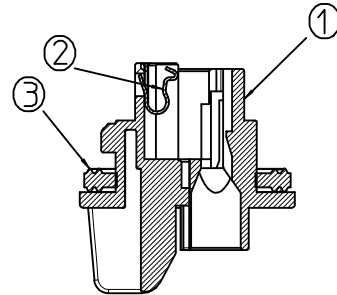
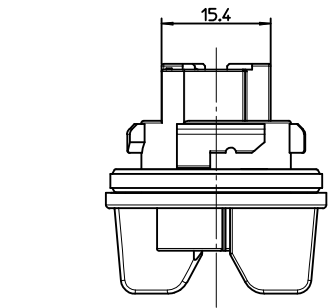
NO.	DESCRIPTION	MATERIAL	PART NO.	WIRE RANGE
④	SINGLE TERMINAL	BRASS	49869-9702	0.5~0.85mm ²
⑤	WIRE SEAL - S	SILICONE	49454-9002	1.8~2.2mm(INS. DIA.)

<PARTS LIST>

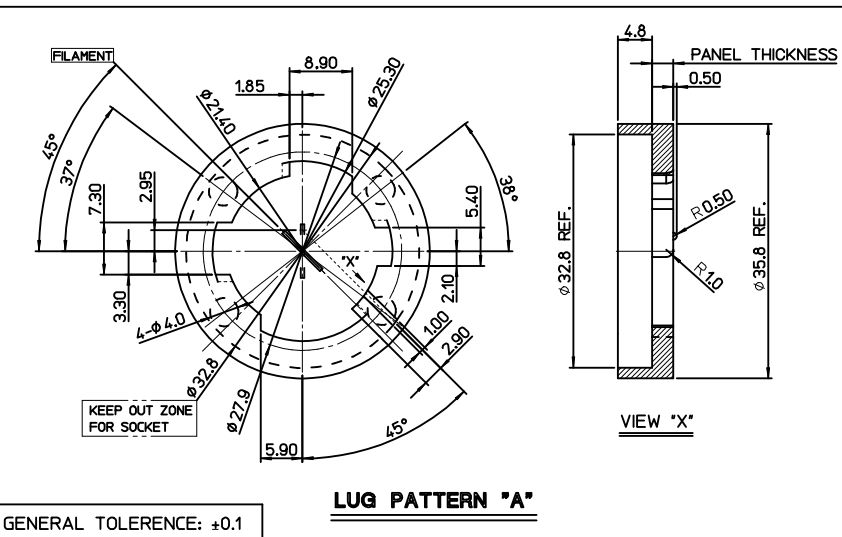
NO.	DESCRIPTION	MATERIAL	USAGE	REMARK
①	T20 BULB SOCKET	NYLON46, GF 30%	1	BROWN
②	LAMP HOLDER	SUS	2	UNPLATED
③	FLOOR SEAL	SILICONE	1	WHITE

<TABLE 1>

MATERIAL NO.	ORDER NO.	COLOR
1041330227	104133-0227	BROWN



SECTION A-A



LUG PATTERN "A"

GENERAL TOLERANCE: ±0.1

REV	DESCRIPTION	QUALITY SYMBOLS	GENERAL TOLERANCES (UNLESS SPECIFIED)		DIMENSION STYLE		SCALE	DESIGN UNITS	TITLE	SHEET NO.
			mm	INCH	MM ONLY	MM ONLY				
A	NEW RELEASE EC NO: KIR2013-0011 DRAWN: HMINOON 2013/08/28 CHKD: BCYOON 2013/08/28 APPR:	▽=0 ▽=0	±	±	MM ONLY	MM ONLY	METRIC	THIRD ANGLE PROJECTION	WY21W(T20) SEALED WEDGE BULB SOCKET 2P	1 OF 1
			4 PLACES	±	±	DRAWN BY	DATE			
			3 PLACES	±	±	SMKIM	2009/03/17			
			2 PLACES	±	±	CHECKED BY	DATE			
			1 PLACE	±	±	BCYOON	2009/03/17			
			ANGULAR ± 1°			APPROVED BY	DATE			
						JYCHOI	2013/09/04			
			DRAFT WHERE APPLICABLE MUST REMAIN WITHIN DIMENSIONS			MATERIAL NO.	DOCUMENT NO.			
						SEE TABLE 1	SD-104133-002			
						THIS DRAWING CONTAINS INFORMATION THAT IS PROPRIETARY TO MOLEX INCORPORATED AND SHOULD NOT BE USED WITHOUT WRITTEN PERMISSION				