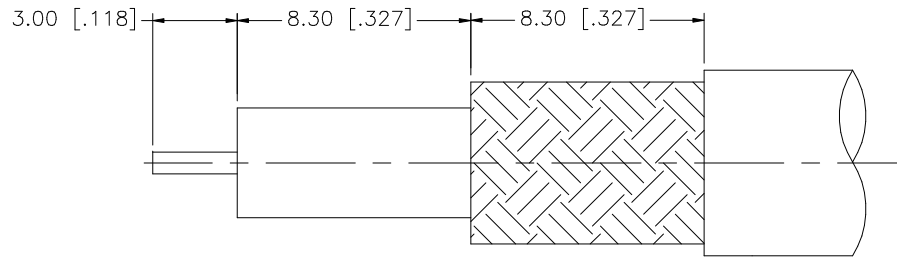
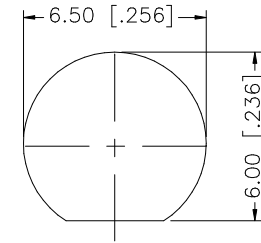


REV.	DATE	DESCRIPTION
NC	03/06/00	INITIAL RELEASE
A	12/15/05	UPDATE DRAWING FORMAT

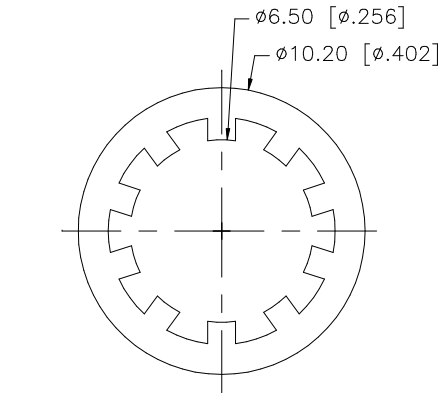


RECOMMENDED
CABLE STRIPPING DIM'S



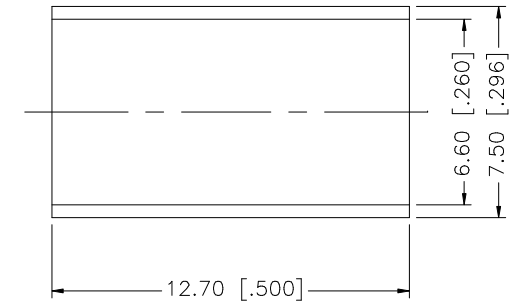
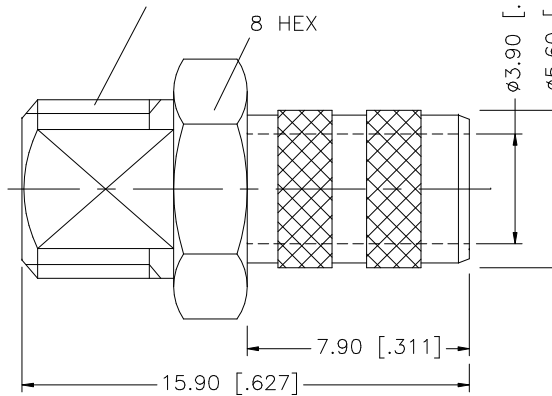
RECOMMENDED
MOUNTING HOLE

8 HEX NUT



1/4-36UNS-2A

8 HEX



CRIMP NOTES:

1. CRIMPED FERRULE
HEX CRIMP SIZE .255"

				UNLESS OTHERWISE SPECIFIED DIMENSIONS ARE IN MILLIMETERS. DIMENSIONS IN [] ARE IN INCHES AND FOR CUSTOMER REFERENCE ONLY.	APPROVALS	DATE	Amphenol Connex		
8					DRAWN G.R.S.	12/15/05		PART DESCRIPTION BULKHEAD CABLE TERMINATION (FOR RG-59/U, LMR240 CABLE)	
7					CHECKED				
6					ISSUED				
5	FERRULE	COPPER	NICKEL	1	SHEET 1 OF 1				
4	HEX NUT	BRASS	NICKEL	1			PART NO. 142273		
3	LOCK WASHER	BRASS	NICKEL	1					
2	INSULATOR	TEFLON	NATURAL	1			DWG. NO. 142273.DWG		
1	BODY	BRASS	NICKEL	1					
DESCRIPTION				MATERIAL	FINISH	QTY	REV. A	SIZE A	SCALE NA
				UNLESS OTHERWISE SPECIFIED TOLERANCES FOR MILLIMETERS ARE: 0.5 - 8mm ± 0.20mm 8 - 30mm ± 0.40mm 30 - 120mm ± 0.50mm	DO NOT SCALE DRAWING				
				UNLESS OTHERWISE SPECIFIED TOLERANCES FOR INCHES ARE: .020 - .315 = ± 0.007" .315 - 1.180 = ± 0.015" 1.180 - 4.724 = ± 0.020"	CAD FILE C:/142/142273.DWG				